

PLARAD

MESSENGER

THE OFFICIAL COMPANY NEWSLETTER



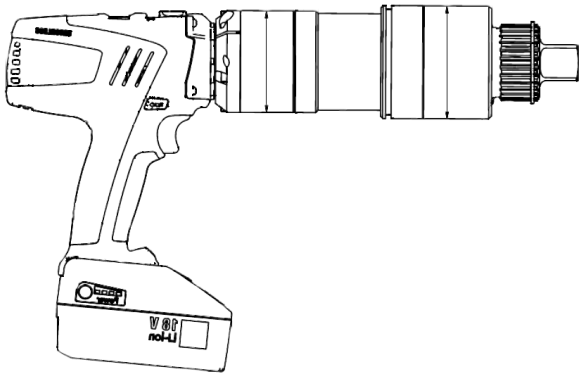
Professional tools for mining and extraction processes

Maximum safety - minimum downtime

One of the biggest challenges in the mining industry is the reduction of downtime for maintenance. Therefore Plarad is working together with the mining industry to make sure that our tools keep the trucks rolling fast and safely.

Our tools such as DA2 and DE1 are designed for mining purposes. Its high torque and ergonomic design not only saves time, but also helps miners reduce their physical stress. Our tools are often used in haul trucks, cranes and other earth movers to replace tires and for other maintenance.

Plarad DA2 Nutrunner

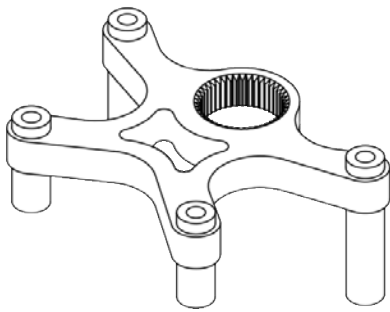


- Max torque • 4800 Nm
- Rotation per min • 21(gear 4)
- Weight • 8.50kg
- Battery capacity • 5.2 Ah /6 Ah Li Ion
- Automatic locking/release • Yes
- Active battery control • Yes
- On/off trigger • Yes - constant speed
- Sq drive size • 1½ inch / 38.1 mm

Article no - 72020 for 230V / 72021 for 110V



Plarad Reactionarm "Arana"

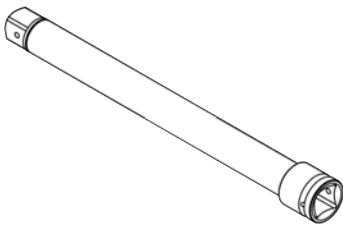


- 4800 Nm
- 6.85 kg
- Solidly built

Article no - 80195

*also suitable for pneumatic / electric nutrunners

Plarad Extension

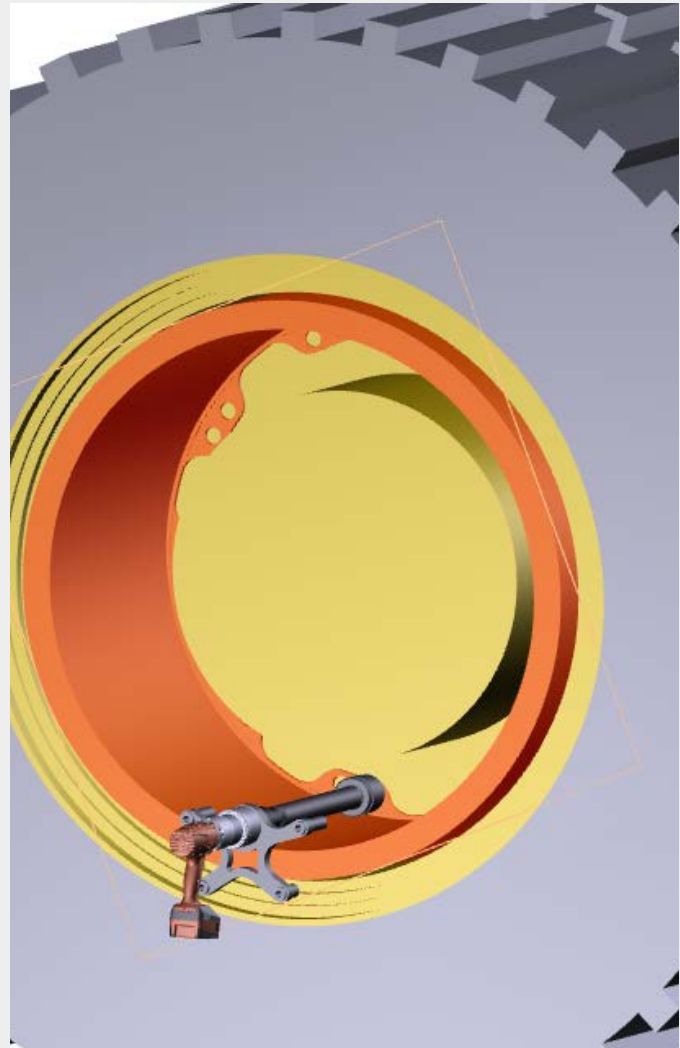


- 4800 Nm
- 8.96 kg
- Heavy duty
- 220mm - 623mm

Article no - 80252

* also suitable for pneumatic / electric nutrunners

*all the tools are available in different performance ranges



For more information and further technical details, please feel free to contact us.