

Tensioner PSE, single-stage



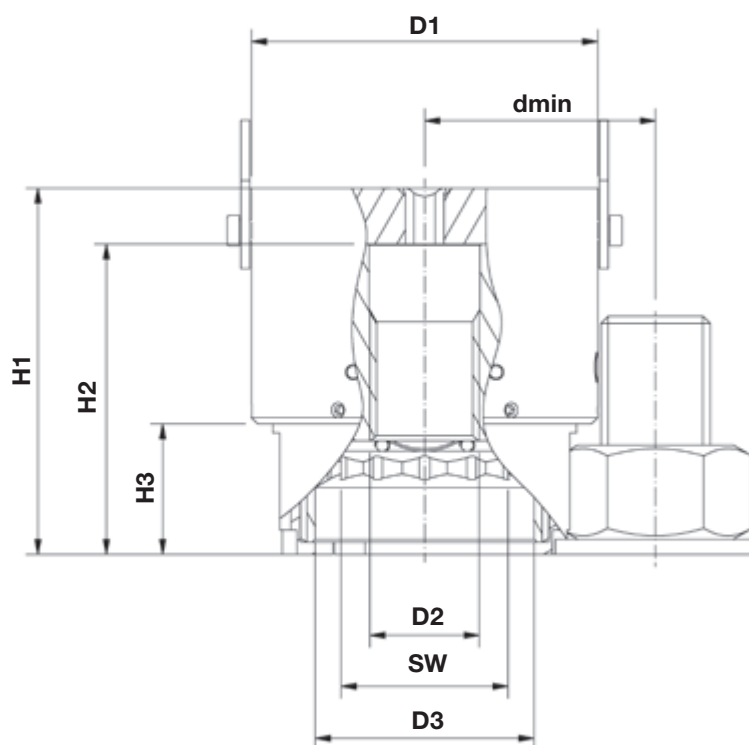
Tensioner PSE, single-stage

1 500 bar maximum operating pressure

The one-stage hydraulic tensioner PSE enables screw joint assembly and disassembly without torsional stress for the bolt. The pre-tensioning power is precisely adjustable.

Its flat design makes the PSE particularly advantageous in axially restricted spaces. The knurled attachment additionally included will also ensure successful tensioner application with bolt protrusions of excessive length.

The Plarad tensioners are available in a range of sizes with individual adjustment for every bolting need.



Type	D1 Ø (mm)	D2 Ø (mm)	Max. Load (kN)	H1 (mm)	Stroke (mm)	H2 (mm)	SW (mm)	dmin (mm)	D3 (mm)	H3 (mm)	Wight (kg)
PSE 24-305*	80	M 24	305	95	8	83	36	52	52	26	5,8
PSE 30-482	98	M 30	482	123	10	108	46	64	58	31	6,3
PSE 36-681	114	M 36	681	121	10	102	55	76	72	37	7,9
PSE 42-980	135	M 42	980	135	10	116	65	92	82	43	11,6
PSE 48-1235	152	M 48	1235	144	10	128	75	102	96	47	15,1
PSE 52-1458	163	M 52	1458	151	10	135	80	109	102	51	18,1
PSE 56-1676	175	M 56	1676	160	10	143	85	117	109	55	21,5
PSE 64-2259	205	M 64	2259	182	10	165	95	136	120	62	29,2

All advantages at a glance:

Carrying strap

Flexible carrying strap for comfortable transport of the unit.

Automatic piston return

Swift operation: The puller is automatically returned to its original position once the pressure has been released.

Stroke limiter

Ultimate safety: The mechanical end stop prevents the over extension of the piston (even under maximum load).

Gearbox

Unique ease of use: The nut can be turned swiftly and with perfect ease using a ratchet or a torque wrench that is driven by a gear drive (maximum input torque: < M36=40 Nm, > M36=80 Nm).

Cycle counter

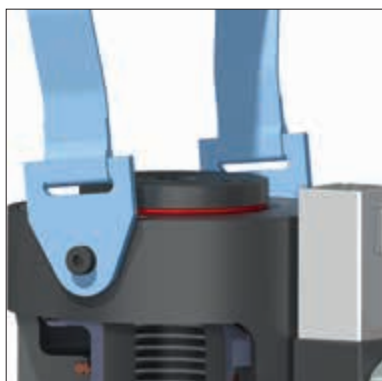
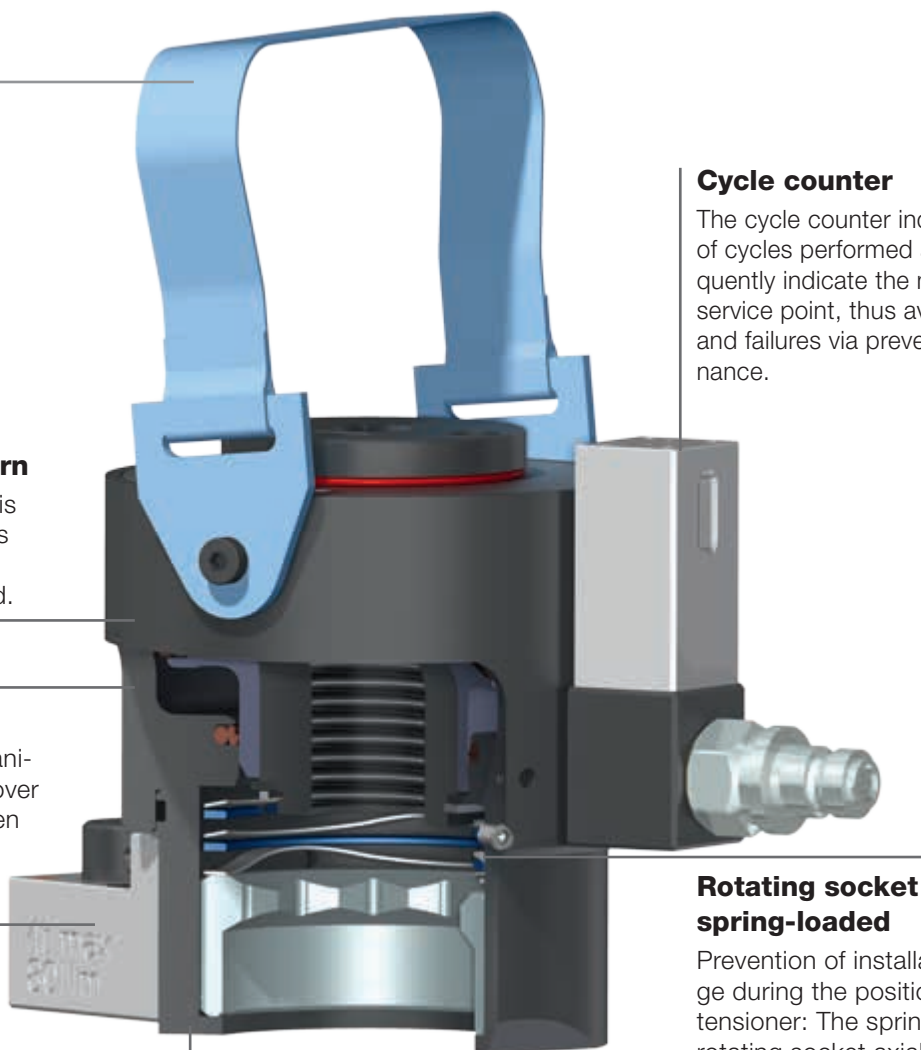
The cycle counter indicates number of cycles performed and will consequently indicate the maximum cycle service point, thus avoiding damage and failures via preventive maintenance.

Rotating socket – spring-loaded

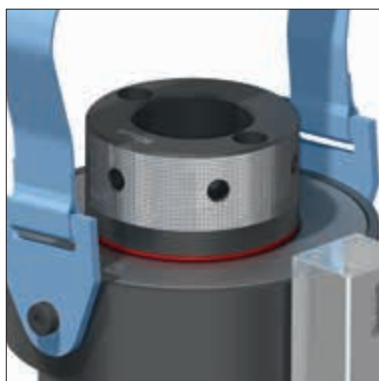
Prevention of installation damage during the positioning of the tensioner: The spring affords the rotating socket axial flexibility.

Supporting surface – optimized

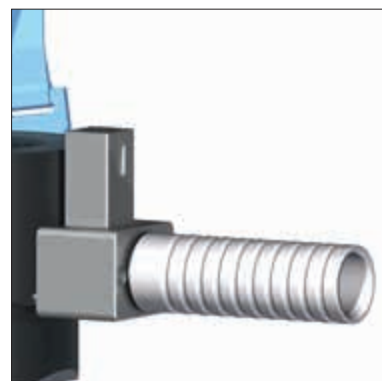
Environment: The tensioner is especially well suited for use in tight spaces thanks to its optimal shape.



Standard attachment



Knurled attachment for long bolt protrusions



Detachable handle - included in the standard scope of supply - provides ultimate support

Accessories

A wide range of accessories is available for the tensioners. We provide electric and pneumatic hydraulic power packs dedicated for tensioners (fully automatic with and without documentation) as well as manual hydraulic pumps.



TAX – the pump for tensioners



Dual-Power – 800 bars and 1600 bars in one high-pressure unit



Spacers and spacer rings
Individual adjustment for every bolting need



HP – the manual hydraulic pump