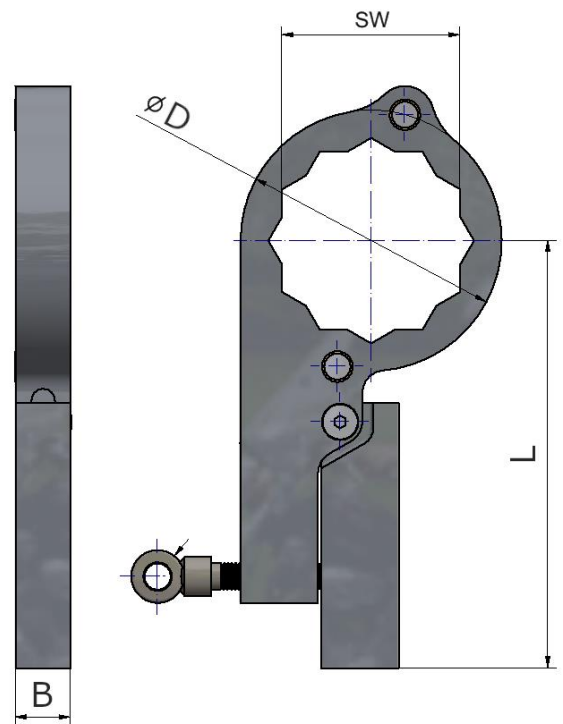


# Gegenhalter

## Countersupport

Code	Beschreibung description	Drehmoment max. max. torque	Plarad Code	L [mm]	B [mm]	Ø D [mm]
BUW30=1 3/16	Back Up Wrench A/F 30mm	600 Nm	80762	102,5	15	46
BUW32	Back Up Wrench A/F 32mm	750 Nm	80763	104,5	15	48
BUW36	Back Up Wrench A/F 36mm	1.000 Nm	80764	109,5	15	54
BUW41	Back Up Wrench A/F 41mm	1.500 Nm	80767	114,5	15	62
BUW46=1 13/16	Back Up Wrench A/F 46mm	2.000 Nm	80768	138,5	20	68
BUW50	Back Up Wrench A/F 50mm	2.750 Nm	80769	141,5	20	75
BUW55	Back Up Wrench A/F 55mm	3.500 Nm	80607	144,5	20	80
BUW60	Back Up Wrench A/F 60mm	4.500 Nm	80072	147,5	20	86
BUW65=2 9/16	Back Up Wrench A/F 65mm	5.600 Nm	80770	163,5	20	96
BUW70=2 3/4	Back Up Wrench A/F 70mm	7.100 Nm	80771	186,5	25	102
BUW75	Back Up Wrench A/F 75mm	8.500 Nm	80772	189,5	25	110
BUW80	Back Up Wrench A/F 80mm	10.900 Nm	80071	193,5	25	118
BUW85	Back Up Wrench A/F 85mm	13.600 Nm	80775	214	30	124
BUW90	Back Up Wrench A/F 90mm	15.000 Nm	80776	235	30	130
BUW95=3 3/4	Back Up Wrench A/F 95mm	16.700 Nm	80777	240	30	140
BUW100	Back Up Wrench A/F 100mm	22.100 Nm	80779	270	40	150
BUW105=4 1/8	Back Up Wrench A/F 105mm	26.500 Nm	80780	273	40	155
BUW110	Back Up Wrench A/F 110mm	31.300 Nm	80781	285	40	162
BUW115	Back Up Wrench A/F 115mm	36.600 Nm	80782	289	40	170
BUW120	Back Up Wrench A/F 120mm	40.000 Nm	80783	292	40	177



Maschinenfabrik Wagner GmbH & Co. KG  
Birrenbachshöhe 17 | D-53804 Much

Handelsregister Siegburg HRA 1704  
Pers. Haftende Ges.: Wagner GmbH  
Handelsregister Siegburg HRB 331  
Ust.-Id.-Nr.: DE 123 097 898  
Geschäftsführer: Dr. Marcus Stuhler

### Kontakt

Tel. national: (0)2245 62 - 0  
Fax national: (0)2245 62 - 66  
Phone international: +49 (0)2245 62-10  
Fax international: +49 (0)2245 62 - 22

E-Mail: [info@plarad.de](mailto:info@plarad.de) | [www.plarad.de](http://www.plarad.de)