

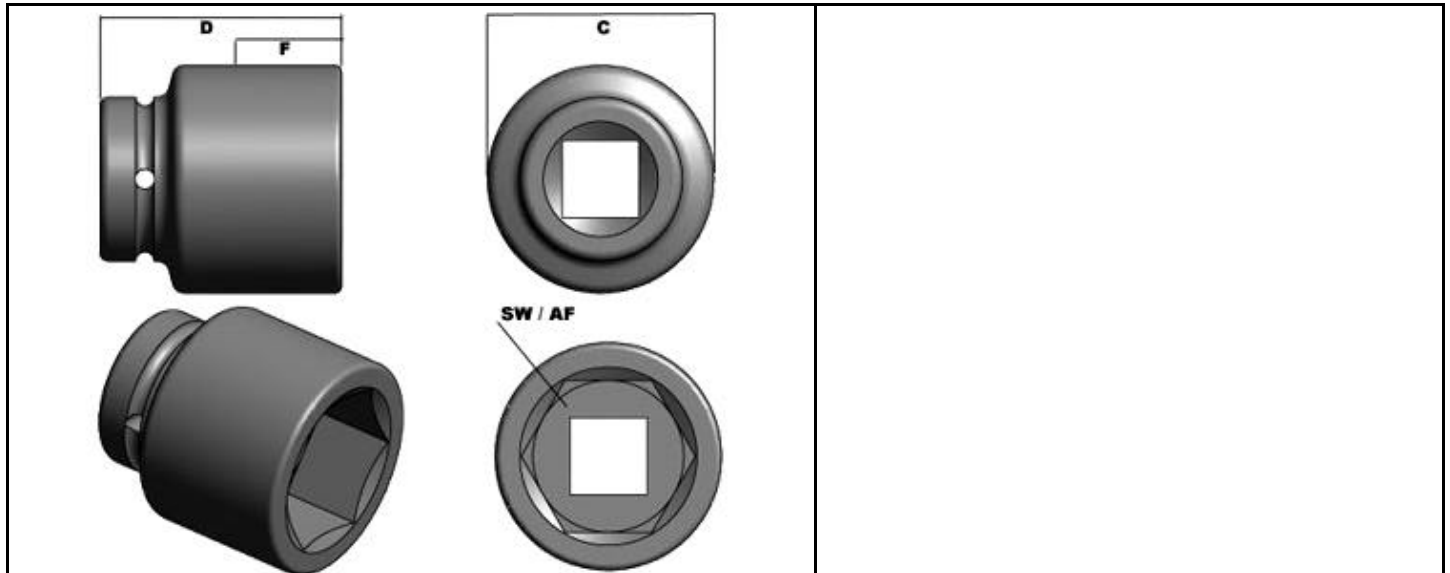
Norm-Sechskantnüsse

Standard hex sockets



Norm-Sechskantnüsse

Standard hex sockets



Norm-Sechskant-Nüsse mit 3/4" Antriebsvierkant

Hexagonal sockets with 3/4" square drive

Type	SW / AF (mm)	Schraube Bolt	C	D	F	M _{tmax} *	Gewicht* Weight*	Code Nr. Code no.
A 075 S 22 M	22	14	37,1	51	9,8	403		F97-019-9-02200
A 075 S 24 M	24	16	39,6	51	11,2	504		F97-019-9-02400
A 075 S 27 M	27	18	43,5	54	12,6	652		F97-019-9-02700
A 075 S 30 M	30	20	47,0	54	14,0	908		F97-019-9-03000
A 075 S 32 M	32	22	49,7	57	15,0	932		F97-019-9-03200
A 075 S 36 M	36	24	54,9	57	17,0	1230		F97-019-9-03600
A 075 S 41 M	41	27	61,6	58	20,0	1300		F97-019-9-04100
A 075 S 46 M	46	30	67,4	63	22,0	1300		F97-019-9-04600
Type	SW / AF						Code-Nr. /Code no.	
Drahtfedersicherung Retaining Clip	17 - 46		3/4" Nüsse Sockets 3/4"				K00-002-4-50901	

* Gewicht in KG

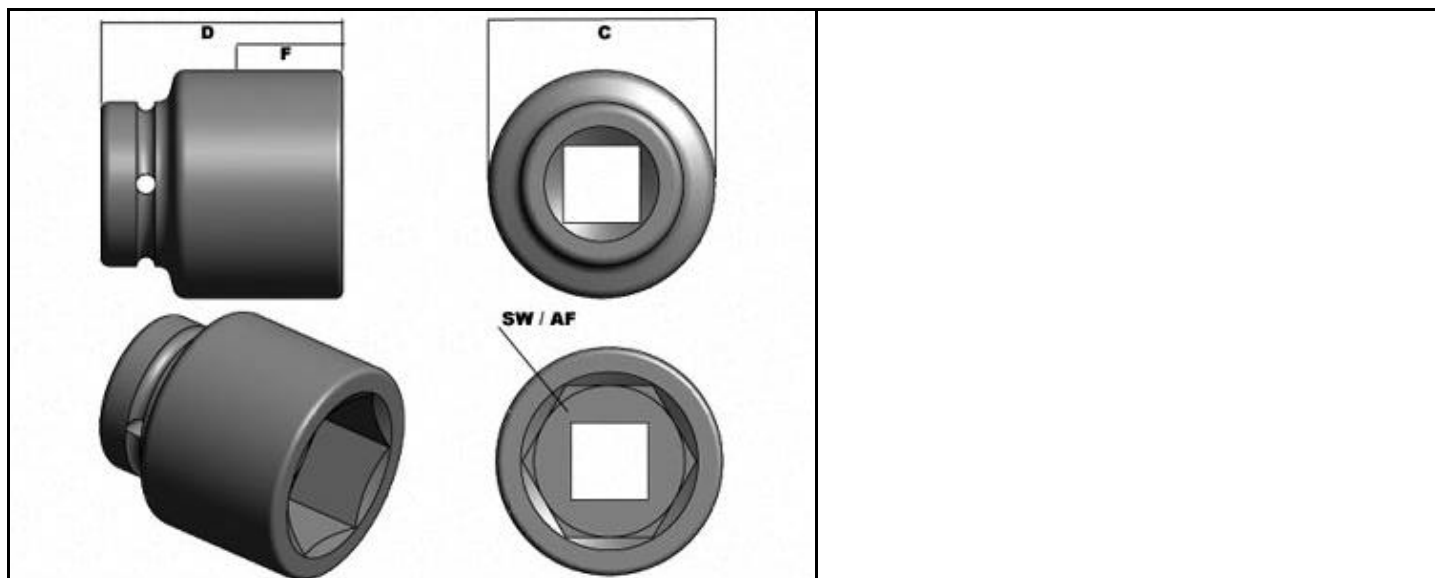
* Drehmoment in Nm

* Weight in KG

* Torques are indicated in Nm

Norm-Sechskantnüsse

Standard hex sockets



Norm-Sechskant-Nüsse mit 1" Antriebsvierkant Hexagonal sockets with 1" square drive

Type	SW / AF (mm)	Schraube Bolt	C	D	F	Mt _{max} *	Gewicht* Weight*	Code Nr. Code no.
A 100 S 22 M	22	14	39,9	60	9,8	522		F97-025-9-02204
A 100 S 24 M	24	16	42,4	60	11,2	649		F97-025-9-02400
A 100 S 27 M	27	18	46,3	60	12,6	830		F97-025-9-02701
A 100 S 30 M	30	20	50,0	60	14,0	1024		F97-025-9-03000
A 100 S 32 M	32	22	52,5	63	15,0	1174		F97-025-9-03201
A 100 S 36 M	36	24	57,5	67	17,0	1509		F97-025-9-03600
A 100 S 41 M	41	27	63,9	70	20,0	2072		F97-025-9-04101
A 100 S 46 M	46	30	70,0	76	22,0	2572		F97-025-9-04600
A 100 S 50 M	50	33	75,0	82	23,0	2965		F97-025-9-05000
A 100 S 55 M	55	36	80,0	87	26,0	3471		F97-025-9-05500
A 100 S 60 M	60	39	85,0	91	28,0	3819		F97-025-9-06000
A 100 S 65 M	65	42	90,0	95	29,0	4024		F97-025-9-06500
A 100 S 70 M	70	45	100,0	100	29,0	4500		F97-025-9-07000
A 100 S 75 M	75	48	109,0	110	34,0	4500		F97-025-9-07500
Type	SW / AF						Code Nr./Code no.	
Drahtfedersicherung Retaining Clip	19 - 70		1" Nüsse Sockets 1"				K00-002-4-51001	
Drahtfedersicherung Retaining Clip	75 - 80		1" Nüsse Sockets 1"				K00-002-4-51101	

* Gewicht in KG

* Drehmoment in Nm

- Weight in KG

* Torques are indicated in Nm

PLARAD[®]
Torque & Tension Systems



Maschinenfabrik Wagner GmbH & Co. KG

D-53798 Much • P.O. Box 1160

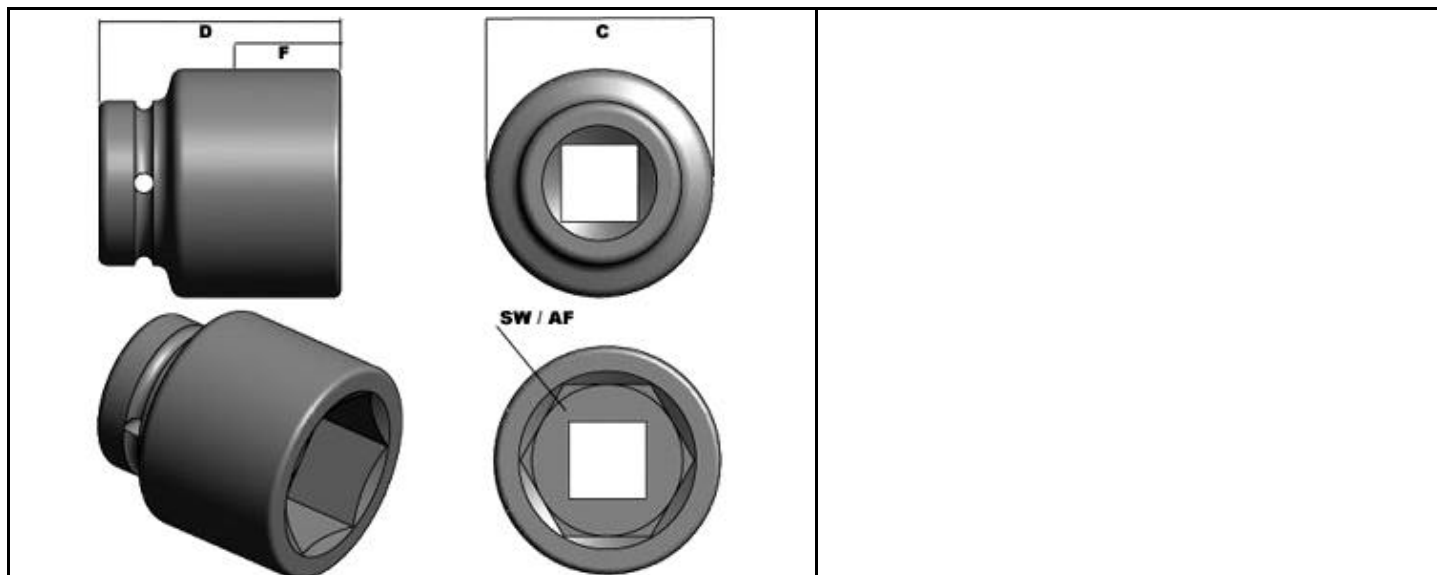
Internet: www.plarad.de • e-Mail: wagner@plarad.de

D-53804 Much • Birrenbachshöhe

For: +49 (0) 2245 / 62-0 • Fax: +49 (0) 2245 / 6244

Norm-Sechskantnüsse

Standard hex sockets



Norm-Sechskant-Nüsse mit 1 1/2" Antriebsvierkant Hexagonal sockets with 1 1/2" square drive

Type	SW / AF (mm)	Schraube Bolt	C	D	F	M _{tmax} *	Gewicht* Weight*	Code Nr. Code no.
A 150 S 30 M	30	20	60	75	15	2025		F97-038-9-03000
A 150 S 32 M	32	22	60	75	16	2010		F97-038-9-03200
A 150 S 36 M	36	24	63,9	78	17	2250		F97-038-9-03600
A 150 S 41 M	41	27	70,1	80	20	3000		F97-038-9-04100
A 150 S 46 M	46	30	76,4	84	22	3730		F97-038-9-04600
A 150 S 50 M	50	33	81,4	87	23	4260		F97-038-9-05000
A 150 S 55 M	55	36	87,0	90	25	4970		F97-038-9-05500
A 150 S 60 M	60	39	94,0	95	27	6125		F97-038-9-06000
A 150 S 65 M	65	42	100,0	100	29	7120		F97-038-9-06500
A 150 S 70 M	70	45	107,0	105	32	8460		F97-038-9-07000
A 150 S 75 M	75	48	113,0	110	34	9640		F97-038-9-07500
A 150 S 80 M	80	52	119,0	116	36	11385		F97-038-9-08000
A 150 S 85 M	85	56	126,0	121	39	13135		F97-038-9-08500
A 150 S 90 M	90	60	131,9	127	42	15000		F97-038-9-09000
Type	SW/AF					Code Nr./Code no.		
Drahtfedersicherung Retaining Clip	36 - 90		1 1/2" Nüsse Sockets 1 1/2"			K00-002-4-51101		

* Gewicht in KG

* Drehmoment in Nm

* Weight in KG

* Torques are indicated in Nm

PLARAD[®]
Torque & Tension Systems



Maschinenfabrik Wagner GmbH & Co. KG

D-53798 Much • P.O. Box 1160

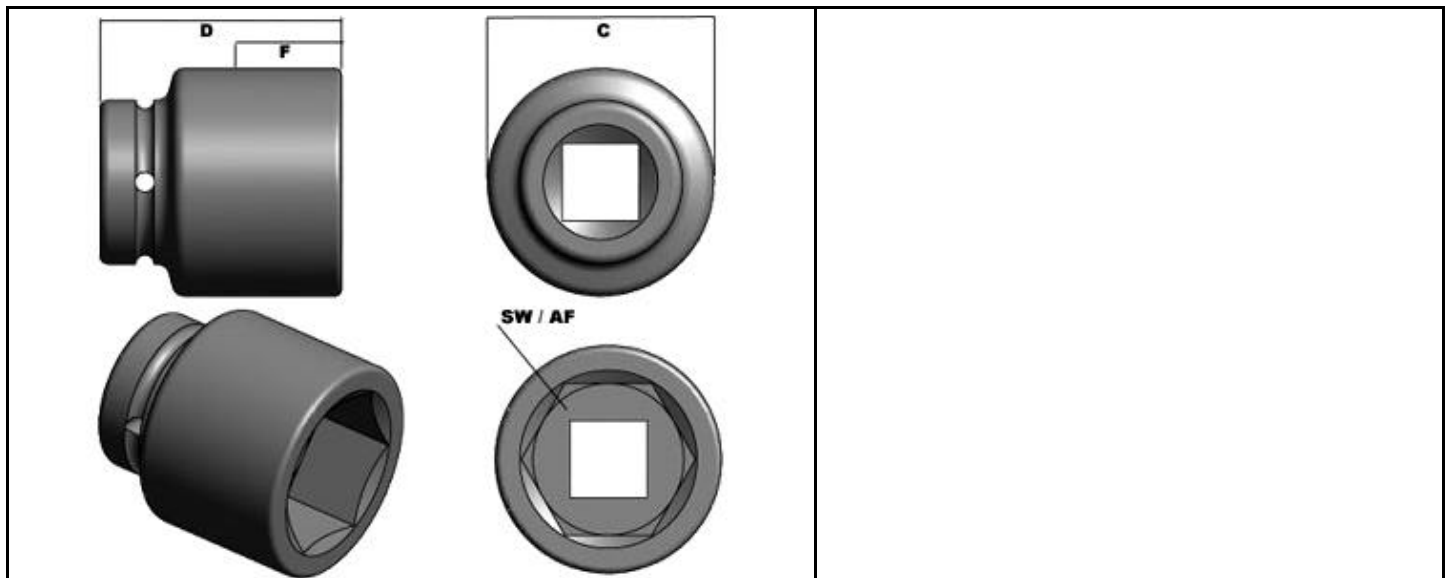
Internet: www.plarad.de • e-Mail: wagner@plarad.de

D-53804 Much • Birrenbachshöhe

For: +49 (0) 2245 / 62-0 • Fax: +49 (0) 2245 / 6244

Norm-Sechskantnüsse

Standard hex sockets



Norm-Sechskant-Nüsse mit 2 1/2" Antriebsvierkant Hexagonal sockets with 2 1/2" square drive

Type	SW / AF (mm)	Schraube Bolt	C	D	F	M _{tmax} *	Gewicht* Weight*	Code Nr. Code no.
A 250 S 80 M	85	52	162	150	36	35000		F97-064-9-08004
A 250 S 85 M	85	56	164	155	39	35000		F97-064-9-08504
A 250 S 90 M	90	60	166	160	42	35000		F97-064-9-09004
A 250 S 95 M	95	64	168	160	45	35000		F97-064-9-09504
A 250 S 100 M	100	68	169	165	47	35000		F97-064-9-10004
A 250 S 105 M	105	72	171	165	50	35000		F97-064-9-10504
A 250 S 110 M	110	76	173	175	53	35000		F97-064-9-11004
A 250 S 115 M	115	80	175	175	56	35000		F97-064-9-11504
A 250 S 120 M	120	85	177	181	59	35000		F97-064-9-12004
A 250 S 125 M	125	88	180	185	61	35000		F97-064-9-12504
A 250 S 130 M	130	90	185	185	63	35000		F97-064-9-13004
A 250 S 145 M	145	100	195	185	70	35000		F97-064-9-14504
A 250 S 105 M	105	72	180	165	50	50000		F97-064-9-10505
A 250 S 110 M	110	76	182	175	53	50000		F97-064-9-11005
A 250 S 115 M	115	80	183	175	56	50000		F97-064-9-11505
A 250 S 120 M	120	85	187	181	59	50000		F97-064-9-12005
A 250 S 125 M	125	88	191	184	61	50000		F97-064-9-12505
A 250 S 130 M	130	90	195	187	63	50000		F97-064-9-13005
A 250 S 135 M	135	92	199	190	67	50000		F97-064-9-13505
A 250 S 140 M	140	96	203	193	68	50000		F97-064-9-14005
A 250 S 145 M	145	100	207	195	70	50000		F97-064-9-14505
A 250 S 150 M	150	105	211	195	74	50000		F97-064-9-15005
A 250 S 155 M	155	110	217	195	77	50000		F97-064-9-15505

* Gewicht in KG

* Drehmoment in Nm

PLARAD[®]
Torque & Tension Systems



Maschinenfabrik Wagner GmbH & Co. KG

D-53798 Much • P.O. Box 1160

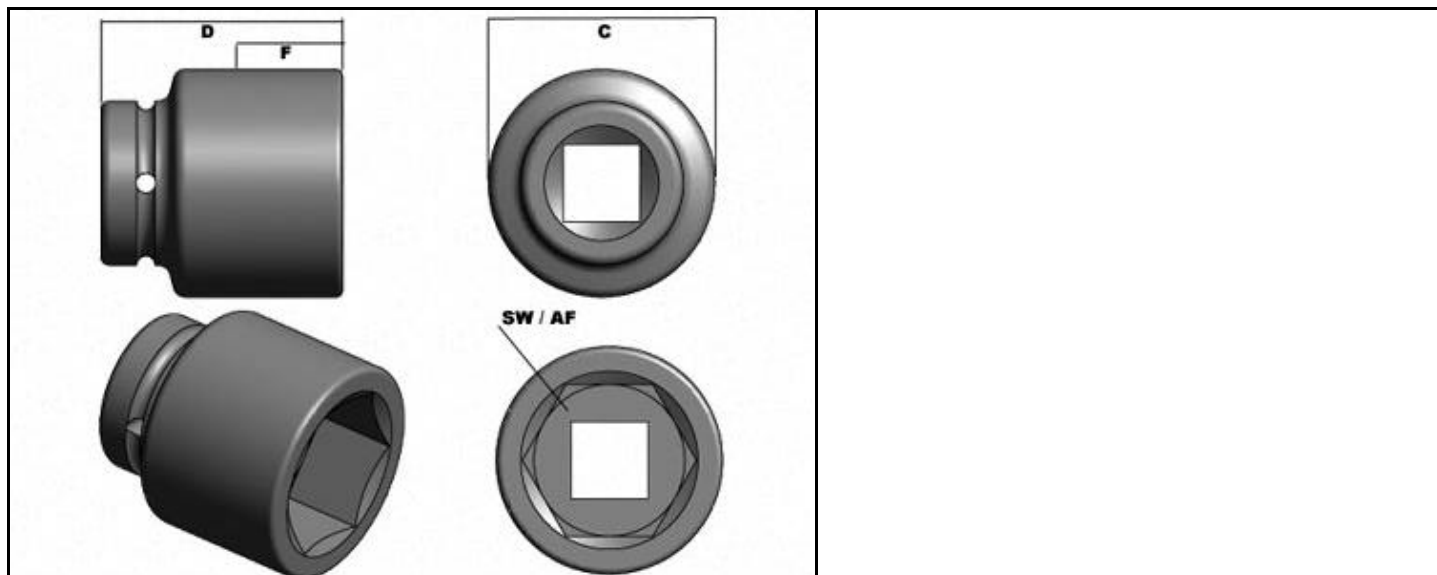
Internet: www.plarad.de • e-Mail: wagner@plarad.de

D-53804 Much • Birrenbachshöhe

For: +49 (0) 2245 / 62-0 • Fax: +49 (0) 2245 / 6244

Norm-Sechskantnüsse

Standard hex sockets



Norm-Sechskant-Nüsse mit 3 1/2" Antriebsvierkant Hexagonal sockets with 3 1/2" square drive

Type	SW / AF (mm)	Schraube Bolt	C	D	F	M _{tmax} *	Gewicht* Weight*	Code Nr. Code no.
A 350 S 120 M	120	85	195	205	59	58000		F97-089-9-12000
A 350 S 125 M	125	88	195	205	61	58000		F97-089-9-12505
A 350 S 130 M	130	90	205	205	63	66000		F97-089-9-13000
A 350 S 135 M	135	92	205	205	67	66000		F97-089-9-13500
A 350 S 140 M	140	96	220	205	68	85000		F97-089-9-14000
A 350 S 145 M	145	100	230	205	70	97000		F97-089-9-14500
A 350 S 150 M	150	105	235	205	74	100000		F97-089-9-15000
A 350 S 155 M	155	110	240	205	77	100000		F97-089-9-15500
A 350 S 160 M	160		250	205	79	100000		F97-089-9-16000
A 350 S 165 M	165		255	205	81	100000		F97-089-9-16500
A 350 S 170 M	170		265	205	84	100000		F97-089-9-17000
A 350 S 175 M	175		270	205	86	100000		F97-089-9-17500
A 350 S 180 M	180	125	275	205	88	100000		F97-089-9-18000

* Gewicht in KG

* Drehmoment in Nm

* Weight in KG

* Torques are indicated in Nm

PLARAD[®]
Torque & Tension Systems



Maschinenfabrik Wagner GmbH & Co. KG

D-53798 Much • P.O. Box 1160

Internet: www.plarad.de • e-Mail: wagner@plarad.de

D-53804 Much • Birrenbachshöhe

For: +49 (0) 2245 / 62-0 • Fax: +49 (0) 2245 / 6244