

Antriebe, Ratschenköpfe und Abstützungen
Drive units, ratchet heads and reaction arms

FSX



Technische Daten ***Technical data***

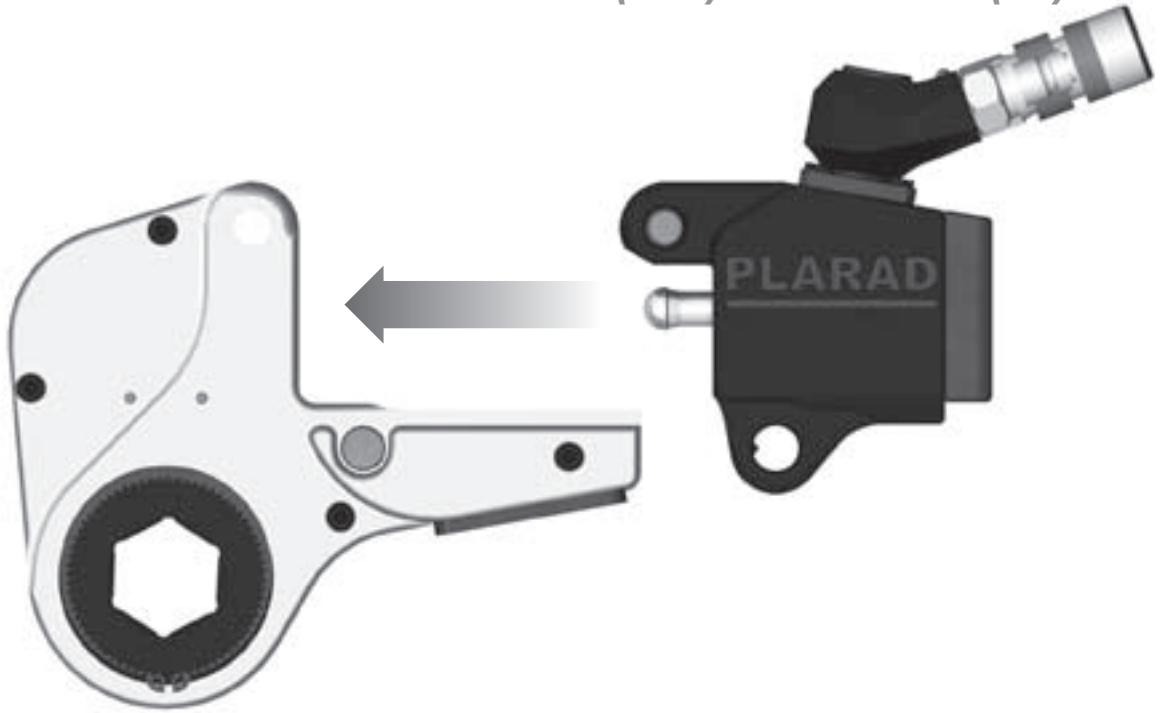
Maßsystem Imperial · *Imperial system*



PLARAD

FSX

= **Ratschenkopf (HSX) + Antriebseinheit (SX)**
Ratchet head (HSX) + Drive unit (SX)



Ratschenkopf • Ratchet head

Ratschenkopf
ratchet head

Max. SW (mm)
max. A/F (mm)

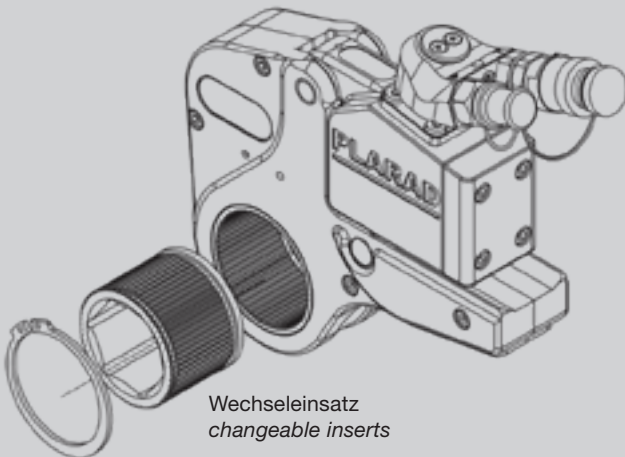
HSX 550 F

Für Antrieb Leistungsklasse 5
for drive unit performance-class 5

Fix:
Fester Einsatz
fixed insert

Wechseleinsatz
changeable inserts

HSX 550 W



Antriebseinheit • Drive unit

Antriebseinheit
drive unit

hinten:
Anschluss hinten
connection at the back

SX 1 MF-H

Leistungsklasse
performance-class

Fix:
starrer Anschluss
fixed hose connection



Mono:
Einschlauch-
Variante
single hose

oben:
Anschluss oben
connection on top

SX 1 MS-O

Swivel:
360° drehbarer Anschluss
360° turnable hose connection



Economy

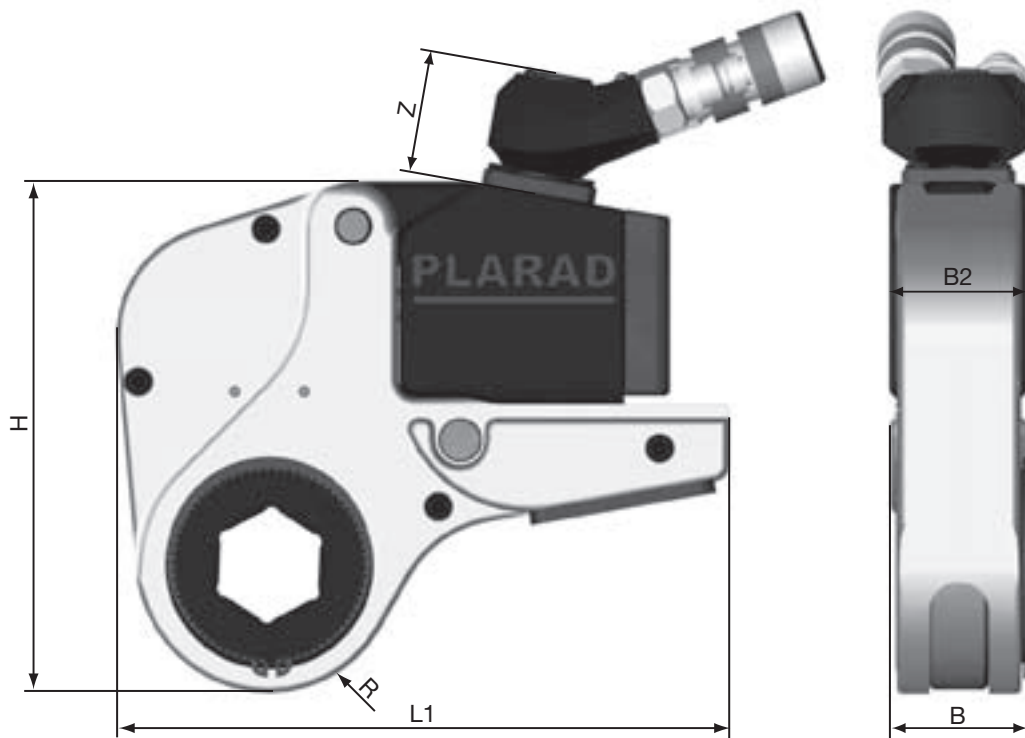
Twin:
Zweischlauch-Variante
twin hose version

SX-EC 2 TS



konventionelle Baureihe
conventional series

SX 20 TST



SX - EC 1

Antriebseinheit Drive unit		Code Nr. Code no.	Leistungsbereich Performance range			B2 B2	Gewicht Weight	
SX - EC 1 MF		G52-010-0-00114	37.76 - 737.57 ft lbs			1.65 inch	1.0 kg	

Ratschenkopf Ratchet head	Code Nr. Code no.	SW (mm) A/F (mm)	L1 L1 (inch)	B B (inch)	H H (inch)	Z Z (inch)	R R (inch)	MT _{max} MT _{max} (ft lbs)	Gewicht Weight (kg)
HSX 127 F	G51-010-0-00120	27	5.87	1.28	4.37	1.57	0.95	590.05	0,7
HSX 136 F	G51-010-0-00320	36	5.87	1.28	4.57	1.57	1.16	737.57	0,8
HSX 141 F	G51-010-0-00220	41	5.87	1.28	4.69	1.57	1.26	737.57	0,9

SX - EC 2

Antriebseinheit Drive unit		Code Nr. Code no.	Leistungsbereich Performance range			B2 B2	Gewicht Weight	
SX - EC 2 TS		G52-025-0-00840	184.39 - 1843.91 ft lbs			1.62 inch	1.3 kg	
SX - EC 2 MS-O		G52-025-0-00740	184.39 - 1843.91 ft lbs			1.56 inch	1.0 kg	
SX - EC 2 MS-H		G52-025-0-00340	184.39 - 1843.91 ft lbs			1.56 inch	1.0 kg	
SX - EC 2 MF		G52-025-0-00440	184.39 - 1843.91 ft lbs			1.56 inch	0.8 kg	

Ratschenkopf Ratchet head	Code Nr. Code no.	SW (mm) A/F (mm)	L1 L1 (inch)	B B (inch)	H H (inch)	Z Z (inch)	R R (inch)	MT _{max} MT _{max} (ft lbs)	Gewicht Weight (kg)
HSX 224 F	G51-025-0-00125	max. 24	6.82	1.36	4.91	1.57	0.85	553.17	1.25
HSX 230 F	G51-025-0-00225	max. 30	6.82	1.36	5.06	1.57	1.0	774.44	1.25
HSX 232 F	G51-025-0-00325	max. 32	6.82	1.36	5.14	1.57	1.08	921.96	1.35
HSX 236 F	G51-025-0-00425	max. 36	6.82	1.36	5.26	1.57	1.18	1106.35	1.35
HSX 241 F	G51-025-0-00525	max. 41	6.82	1.36	5.39	1.57	1.34	1475.13	1.45
HSX 246 F	G51-025-0-00725	max. 46	6.82	1.36	5.55	1.57	1.5	1733.28	1.45
HSX 250 F	G51-025-0-00825	max. 50	6.82	1.36	5.65	1.57	1.57	1843.91	1.45
HSX 255 F	G51-025-0-00121	max. 55	6.82	1.36	5.77	1.57	1.71	1843.91	1.45
HSX 260 F	G51-025-0-01025	max. 60	6.9	1.36	6.05	1.57	1.79	1843.91	1.50
HSX 265 F	G51-025-0-01810	65	7.5	1.36	6.25	1.57	1.89	1843.91	1.55
HSX 270 F	G51-025-0-05710	70	7.9	1.36	6.42	1.57	2.09	1843.91	1.75

Ratschenkopf <i>Ratched head</i>	Sechskanteinsatz Hexagon key insert	Code Nr. Code no.	SW (mm) A/F (mm)	Bemerkung notice
HSX 224 F	HX 224 H 20 M	F93-060-9-02026	20	
	HX 224 H 24 M	F93-060-9-02426	24	
HSX 230 F	HX 230 H 24 M	F93-072-9-02407	24	
	HX 230 H 30 M	F93-072-9-03007	30	
HSX 232 F	HX 232 H 24 M	F93-076-9-02452	24	
	HX 232 H 27 M	F93-076-9-02752	27	
	HX 232 H 32 M	F93-076-9-03252	32	
HSX 236 F	HX 236 H 24 M	F93-050-9-02407	24	
	HX 236 H 27 M	F93-050-9-02707	27	
	HX 236 H 30 M	F93-050-9-03007	30	
	HX 236 H 32 M	F93-050-9-03207	32	
	HX 236 H 36 M	F93-050-9-03607	36	
HSX 241 F	HX 241 H 27 M	F93-056-9-02755	27	
	HX 241 H 30 M	F93-056-9-03055	30	
	HX 241 H 32 M	F93-056-9-03255	32	
	HX 241 H 36 M	F93-056-9-03655	36	
	HX 241 H 41 M	F93-056-9-04155	41	
HSX 246 F	HX 246 H 30 M	F93-062-9-03002	30	
	HX 246 H 32 M	F93-062-9-03202	32	
	HX 246 H 36 M	F93-062-9-03602	36	
	HX 246 H 41 M	F93-062-9-04102	41	
	HX 246 H 46 M	F93-062-9-04602	46	
HSX 250 F	HX 250 H 30 M	F93-068-9-03005	30	
	HX 250 H 32 M	F93-068-9-03205	32	
	HX 250 H 36 M	F93-068-9-03605	36	
	HX 250 H 41 M	F93-068-9-04105	41	
	HX 250 H 46 M	F93-068-9-04605	46	
	HX 250 H 50 M	F93-068-9-05005	50	
HSX 255 F	HX 255 H 36 M	F93-072-9-03606	36	
	HX 255 H 41 M	F93-072-9-04106	41	
	HX 255 H 46 M	F93-072-9-04606	46	
	HX 255 H 50 M	F93-072-9-05006	50	
	HX 255 H 55 M	F93-072-9-05506	55	
HSX 260 F	HX 260 H 36 M	F93-078-9-03604	36	
	HX 260 H 41 M	F93-078-9-04104	41	
	HX 260 H 46 M	F93-078-9-04604	46	
	HX 260 H 50 M	F93-078-9-05004	50	
	HX 260 H 55 M	F93-078-9-05504	55	
	HX 260 H 58 M	F93-078-9-05804	58	
	HX 260 H 60 M	F93-078-9-06004	60	

Ratschenkopf Ratchet head	Code Nr. Code no.	SW (") A/F (")	L1 L1 (inch)	B B (inch)	H H (inch)	Z Z (inch)	R R (inch)	MT _{max} MT _{max} (ft lbs)	Gewicht Weight (kg)
HSX 224 F	G51-025-0-00126	15/16"	6.82	1.36	4.9	1.57	0.85	553.17	1.25
HSX 230 F	G51-025-0-00226	1 1/8"	6.82	1.36	5.06	1.57	1.0	774.44	1.25
HSX 232 F	G51-025-0-00326	1 1/4"	6.82	1.36	5.14	1.57	1.08	921.96	1.35
HSX 236 F	G51-025-0-00426	1 3/8"	6.82	1.36	5.26	1.57	1.18	1106.35	1.35
HSX 241 F	G51-025-0-00526	1 9/16"	6.82	1.36	5.4	1.57	1.34	1475.13	1.45
HSX 246 F	G51-025-0-00726	1 13/16"	6.82	1.36	5.5	1.57	1.5	1733.28	1.45
HSX 250 F	G51-025-0-00826	1 15/16"	6.82	1.36	5.65	1.57	1.57	1843.91	1.45
HSX 255 F	G51-025-0-00926	2 1/8"	6.82	1.36	5.77	1.57	1.7	1843.91	1.45
HSX 260 F	G51-025-0-01026	2 3/8"	6.9	1.36	6.05	1.57	1.79	1843.91	1.50
HSX 265 F	G51-025-0-01526	2 1/2"	7.05	1.36	6.25	1.57	1.89	1843.91	1.55

Ratschenkopf <i>Ratched head</i>	Sechskanteinsatz Hexagon key insert	Code Nr. Code no.	SW (") A/F (")	Bemerkung notice
HSX 241 F	HX 241 H 156	F93-056-9-04056	1 ⁹ / ₁₆ "	
HSX 246 F	HX 246 H 181	F93-062-9-04702	1 ¹³ / ₁₆ "	
HSX 250 F	HX 250 H 200	F93-068-9-05106	1 ¹⁵ / ₁₆ "	
HSX 255 F	HX 255 H 163	F93-072-9-04109	1 ⁵ / ₈ "	
	HX 255 H 169	F93-072-9-04309	1 ¹¹ / ₁₆ "	
	HX 255 H 175	F93-072-9-04509	1 ³ / ₄ "	
	HX 255 H 181	F93-072-9-04609	1 ¹³ / ₁₆ "	
	HX 255 H 188	F93-072-9-04809	1 ⁷ / ₈ "	
	HX 255 H 194	F93-072-9-04909	1 ¹⁵ / ₁₆ "	
	HX 255 H 200	F93-072-9-05109	2"	
	HX 255 H 206	F93-072-9-05209	2 ¹ / ₁₆ "	
	HX 255 H 213	F93-072-9-05409	2 ¹ / ₈ "	
HSX 255 F	HX 260 H 238	F93-078-9-06104	2 ³ / ₈ "	

Ratschenkopf Ratchet head	Code Nr. Code no.	SW (mm) A/F (mm)	L1 L1 (inch)	B B (inch)	H H (inch)	Z Z (inch)	R R (inch)	MT _{max} MT _{max} (ft lbs)	Gewicht Weight (kg)
HSX 224 W	G51-025-0-00824	max. 24	6.81	1.49	5.06	1.57	1.0	774.44	1.55
HSX 227 W	G51-025-0-00124	max. 27	6.81	1.49	5.28	1.57	1.08	912.96	1.55
HSX 232 W	G51-025-0-00224	max. 32	6.81	1.5	5.24	1.57	1.18	1106.35	1.55
HSX 236 W	G51-025-0-00324	max. 36	6.74	1.52	5.65	1.57	1.46	1843.91	1.65
HSX 241 W	G51-025-0-00424	max. 41	6.81	1.52	5.55	1.57	1.5	1733.28	1.75
HSX 246 W	G51-025-0-00524	max. 46	6.81	1.52	5.83	1.57	1.63	1843.91	1.75
HSX 250 W	G51-025-0-00624	max. 50	6.81	1.54	5.91	1.57	1.71	1843.91	1.85
HSX 255 W	G51-025-0-00724	max. 55	6.9	1.54	6.05	1.57	1.79	1843.91	1.90

Ratschenkopf <i>Ratched head</i>	Wechseleinsatz Changeable insert	Code Nr. Code no.	SW (mm) A/F (mm)	Bemerkung notice
HSX 224 W	HXW 224 H 20 M	F93-034-9-02015	20	
	HXW 224 H 22 M	F93-034-9-02215	22	
	HXW 224 H 24 M	F93-034-9-02415	24	
HSX 232 W	HXW 232 H 20 M	F93-041-9-02031	20	
	HXW 232 H 24 M	F93-041-9-02431	24	
	HXW 232 H 27 M	F93-041-9-02731	27	
	HXW 232 H 30 M	F93-041-9-03031	30	
	HXW 232 H 32 M	F93-041-9-03231	32	
HSX 236 W	HXW 236 H 24 M	F93-048-9-02465	24	
	HXW 236 H 27 M	F93-048-9-02765	27	
	HXW 236 H 30 M	F93-048-9-03065	30	
	HXW 236 H 32 M	F93-048-9-03265	32	
	HXW 236 H 36 M	F93-048-9-03665	36	
HSX 241 W	HXW 241 H 24 M	F93-052-9-02405	24	
	HXW 241 H 27 M	F93-052-9-02705	27	
	HXW 241 H 30 M	F93-052-9-03005	30	
	HXW 241 H 32 M	F93-052-9-03205	32	
	HXW 241 H 36 M	F93-052-9-03605	36	
	HXW 241 H 41 M	F93-052-9-04105	41	
HSX 246 W	HXW 246 H 30 M	F93-058-9-03006	30	
	HXW 246 H 32 M	F93-058-9-03206	32	
	HXW 246 H 36 M	F93-058-9-03606	36	
	HXW 246 H 41 M	F93-058-9-04106	41	
	HXW 246 H 46 M	F93-058-9-04606	46	

Ratschenkopf <i>Ratched head</i>	Wechseleinsatz Changeable insert	Code Nr. Code no.	SW (mm) A/F (mm)	Bemerkung notice
HSX 250 W	HXW 250 H 24 M	F93-062-9-02401	24	
	HXW 250 H 27 M	F93-062-9-02701	27	
	HXW 250 H 30 M	F93-062-9-03001	30	
	HXW 250 H 32 M	F93-062-9-03201	32	
	HXW 250 H 36 M	F93-062-9-03601	36	
	HXW 250 H 41 M	F93-062-9-04101	41	
	HXW 250 H 46 M	F93-062-9-04601	46	
	HXW 250 H 50 M	F93-062-9-05001	50	
HSX 255 W	HXW 255 H 32 M	F93-068-9-03203	32	
	HXW 255 H 36 M	F93-068-9-03603	36	
	HXW 255 H 41 M	F93-068-9-04103	41	
	HXW 255 H 46 M	F93-068-9-04603	46	
	HXW 255 H 50 M	F93-068-9-05003	50	
	HXW 255 H 55 M	F93-068-9-05503	55	

Ratschenkopf Ratchet head	Code Nr. Code no.	SW (") A/F (")	L1 L1 (inch)	B B (inch)	H H (inch)	Z Z (inch)	R R (inch)	MT _{max} MT _{max} (ft lbs)	Gewicht Weight (kg)
HSX 224 W	G51-025-0-00824	max. 15/16"	6.82	1.49	5.06	1.57	1.0	774.44	1.55
HSX 227 W	G51-025-0-00124	max. 11/16"	6.82	1.49	5.28	1.57	1.08	912.96	1.55
HSX 232 W	G51-025-0-00224	max. 11/4"	6.82	1.5	5.24	1.57	1.18	1106.35	1.55
HSX 236 W	G51-025-0-00324	max. 13/8"	6.74	1.52	5.65	1.57	1.46	1843.91	1.65
HSX 241 W	G51-025-0-00424	max. 19/16"	6.82	1.52	5.55	1.57	1.5	1733.28	1.75
HSX 246 W	G51-025-0-00524	max. 113/16"	6.82	1.52	5.83	1.57	1.64	1843.91	1.75
HSX 250 W	G51-025-0-00624	max. 115/16"	6.82	1.54	5.91	1.57	1.71	1843.91	1.85
HSX 255 W	G51-025-0-00724	max. 21/8"	6.9	1.54	6.05	1.57	1.79	1843.91	1.90

Ratschenkopf <i>Ratched head</i>	Wechseleinsatz Changeable insert	Code Nr. Code no.	SW (") A/F (")	Bemerkung notice
HSX 236 W	HXW 236 H 106	F93-048-9-02766	11/16"	
	HXW 236 H 113	F93-048-9-02966	11/8"	
	HXW 236 H 119	F93-048-9-03066	13/16"	
	HXW 236 H 125	F93-048-9-03266	11/4"	
	HXW 236 H 131	F93-048-9-03366	15/16"	
	HXW 236 H 136	F93-048-9-03566	13/8"	
HSX 241 W	HXW 241 H 150	F93-052-9-03805	11/2"	
HSX 246 W	HXW 246 H 131	F93-058-9-03306	15/16"	
HSX 250 W	HXW 250 H 119	F93-062-9-03003	13/16"	
	HXW 250 H 125	F93-062-9-03203	11/4"	
	HXW 250 H 131	F93-062-9-03303	15/16"	
	HXW 250 H 138	F93-062-9-03503	13/8"	
	HXW 250 H 144	F93-062-9-03703	17/16"	
	HXW 250 H 150	F93-062-9-03803	11/2"	
	HXW 250 H 156	F93-062-9-04003	19/16"	
	HXW 250 H 163	F93-062-9-04103	15/8"	
	HXW 250 H 169	F93-062-9-04303	111/16"	
	HXW 250 H 175	F93-062-9-04503	13/4"	
	HXW 250 H 181	F93-062-9-04603	113/16"	
	HXW 250 H 188	F93-062-9-04803	17/8"	
HXW 250 H 194	F93-062-9-04903	115/16"		
HSX 255 W	HXW 255 H 188	F93-068-9-04808	17/8"	
	HXW 255 H 200	F93-068-9-05108	2"	
	HXW 255 H 213	F93-068-9-05408	21/8"	

SX - EC 5

Antriebseinheit Drive unit	Code Nr. Code no.	Leistungsbereich Performance range	B2 B2	Gewicht Weight
SX - EC 5 TS	G52-050-0-00540	368.78 - 4056.61 ft lbs	1.97 inch	3.2 kg
SX - EC 5 MS-O	G52-050-0-00220	368.78 - 4056.61 ft lbs	1.97 inch	2.0 kg
SX - EC 5 MS-H	G52-050-0-00520	368.78 - 4056.61 ft lbs	1.97 inch	2.0 kg
SX - EC 5 MF	G52-050-0-00320	368.78 - 4056.61 ft lbs	1.97 inch	1.9 kg

Ratschenkopf Ratchet head	Code Nr. Code no.	SW (mm)	L1 L1 (inch)	B B (inch)	H H (inch)	Z Z (inch)	R R (inch)	MT _{max} MT _{max} (ft lbs)	Gewicht Weight (kg)
HSX 532 F	G51-050-0-00125	32	8.47	1.77	6.52	1.44	1.08	1290.73	2.45
HSX 536 F	G51-050-0-01325	36	8.47	1.77	6.64	1.44	1.2	1475.13	2.50
HSX 541 F	G51-050-0-00225	41	8.7	1.77	6.8	1.44	1.36	1991.43	2.55
HSX 546 F	G51-050-0-00325	46	8.67	1.77	6.92	1.44	1.48	2286.45	2.55
HSX 550 F	G51-050-0-00425	50	8.7	1.77	7.01	1.44	1.58	3024.02	2.65
HSX 555 F	G51-050-0-00121	55	8.7	1.77	7.25	1.44	1.81	4056.61	2.65
HSX 560 F	G51-050-0-00525	60	8.7	1.77	7.33	1.44	1.89	4056.61	2.75
HSX 565 F	G51-050-0-00625	65	8.96	1.77	7.4	1.44	1.97	4056.61	2.75
HSX 570 F	G51-050-0-00221	70	8.96	1.77	7.62	1.44	2.19	4056.91	2.75
HSX 575 F	G51-050-0-01225	75	8.98	1.77	7.9	1.44	2.23	4056.91	2.85
HSX 580 F	G51-050-0-00852	80	8.98	1.77	7.96	1.44	2.3	4056.91	2.85
HSX 585 F	G51-050-0-01425	85	9.18	1.77	8.15	1.44	2.48	4056.91	3.0

Ratschenkopf <i>Ratched head</i>	Sechskanteinsatz Hexagon key insert	Code Nr. Code no.	SW (mm)	Bemerkung notice
HSX 532 F	HX 532 H 32 M	F93-076-9-03253	32	
HSX 536 F	HX 536 H 36 M	F93-050-9-03608	36	
HSX 541 F	HX 541 H 36 M	F93-092-9-03614	36	
	HX 541 H 41 M	F93-092-9-04114	41	
HSX 546 F	HX 546 H 30 M	F93-062-9-03004	30	
	HX 546 H 41 M	F93-062-9-04104	41	
	HX 546 H 46 M	F93-062-9-04604	46	
HSX 550 F	HX 550 H 32 M	F93-068-9-03202	32	
	HX 550 H 36 M	F93-068-9-03602	36	
	HX 550 H 41 M	F93-068-9-04102	41	
	HX 550 H 46 M	F93-068-9-04602	46	
	HX 550 H 50 M	F93-068-9-05002	50	
HSX 555 F	HX 555 H 30 M	F93-074-9-03013	30	
	HX 555 H 32 M	F93-074-9-03213	32	
	HX 555 H 36 M	F93-074-9-03613	36	
	HX 555 H 41 M	F93-074-9-04113	41	
	HX 555 H 46 M	F93-074-9-04613	46	
	HX 555 H 50 M	F93-074-9-05013	50	
	HX 555 H 51 M	F93-074-9-05113	51	
	HX 555 H 55 M	F93-074-9-05522	55	
HX 560 H 55 M	F93-080-9-05501	55		
	HX 560 H 58 M	F93-080-9-05801	58	
	HX 560 H 60 M	F93-080-9-06001	60	
HX 565 H 46 M	F93-085-9-04600	46		
	HX 565 H 55 M	F93-085-9-05500	55	
	HX 565 H 60 M	F93-085-9-06000	60	
	HX 565 H 63 M	F93-085-9-06300	63	
	HX 565 H 65 M	F93-085-9-06500	65	

Ratschenkopf <i>Ratched head</i>	Sechskanteinsatz Hexagon key insert	Code Nr. Code no.	SW (mm) A/F (mm)	Bemerkung notice
HSX 560 F	HX 560 H 55 M	F93-080-9-05501	55	
	HX 560 H 58 M	F93-080-9-05801	58	
	HX 560 H 60 M	F93-080-9-06001	60	
HSX 565 F	HX 565 H 46 M	F93-085-9-04600	46	
	HX 565 H 55 M	F93-085-9-05500	55	
	HX 565 H 60 M	F93-085-9-06000	60	
	HX 565 H 63 M	F93-085-9-06300	63	
	HX 565 H 65 M	F93-085-9-06500	65	
HSX 570 F	HX 570 H 55 M	F93-092-9-05512	55	
	HX 570 H 60 M	F93-092-9-06012	60	
	HX 570 H 65 M	F93-092-9-06512	65	
	HX 570 H 70 M	F93-092-9-07012	70	
	HX 570 H 71 M	F93-092-9-07112	71	
HSX 575 F	HX 575 H 60 M	F93-097-9-06000	60	
	HX 575 H 65 M	F93-097-9-06500	65	
	HX 575 H 75 M	F93-097-9-07500	75	
HSX 580 F	HX 580 H 75 M	F93-102-9-07505	75	
	HX 580 H 77 M	F93-102-9-07705	77	
	HX 580 H 80 M	F93-102-9-08005	80	

Ratschenkopf Ratchet head	Code Nr. Code no.	SW (") A/F (")	L1 L1 (inch)	B B (inch)	H H (inch)	Z Z (inch)	R R (inch)	MT _{max} MT _{max} (ft lbs)	Gewicht Weight (kg)
HSX 532 F	G51-050-0-00127	1 1/4"	8.47	1.77	6.52	1.48	1.08	1290.74	2.45
HSX 536 F	G51-050-0-01327	1 3/8"	8.47	1.77	6.64	1.48	1.2	1475.13	2.50
HSX 541 F	G51-050-0-00227	1 9/16"	8.7	1.77	6.8	1.48	1.36	1991.43	2.55
HSX 546 F	G51-050-0-00327	1 13/16"	8.67	1.77	6.92	1.48	1.48	2286.45	2.55
HSX 550 F	G51-050-0-00427	1 15/16"	8.7	1.77	7.01	1.48	1.58	3024.02	2.65
HSX 555 F	G51-050-0-00727	2 1/8"	8.7	1.77	7.25	1.48	1.81	4056.61	2.65
HSX 560 F	G51-050-0-00527	2 1/4"	8.7	1.77	7.33	1.48	1.89	4056.61	2.75
HSX 565 F	G51-050-0-00627	2 1/2"	8.96	1.77	7.41	1.48	1.97	4056.61	2.75
HSX 570 F	G51-050-0-00927	2 3/4"	8.96	1.77	7.62	1.48	2.19	4056.61	2.75
HSX 575 F	G51-050-0-01227	2 15/16"	8.98	1.77	7.9	1.48	2.23	4056.61	2.85
HSX 580 F	G51-050-0-00827	3 1/8"	8.98	1.77	7.96	1.48	2.3	4056.61	2.85
HSX 585 F	G51-050-0-02325	3 1/4"	9.18	1.77	8.16	1.48	2.48	4056.61	3.0

Ratschenkopf <i>Ratched head</i>	Wechseleinsatz Changeable insert	Code Nr. Code no.	SW (") A/F (")	Bemerkung notice
HSX 541 F	HX 541 H 156	F93-092-9-04014	1 9/16"	
HSX 555 F	HX 555 H 163	F93-074-9-04116	1 5/8"	
	HX 555 H 169	F93-074-9-04316	1 11/16"	
	HX 555 H 175	F93-074-9-04516	1 3/4"	
	HX 555 H 181	F93-074-9-04616	1 13/16"	
	HX 555 H 188	F93-074-9-04816	1 7/8"	
	HX 555 H 194	F93-074-9-04916	1 15/16"	
	HX 555 H 200	F93-074-9-05116	2"	
	HX 555 H 206	F93-074-9-05216	2 1/16"	
	HX 555 H 213	F93-074-9-05416	2 1/8"	
HSX 560 F	HX 560 H 238	F93-080-9-06102	2 3/8"	
HSX 565 F	HX 565 H 250	F93-085-9-06405	2 1/2"	
	HX 565 H 256	F93-085-9-06605	2 9/16"	

Ratschenkopf <i>Ratched head</i>	Wechseleinsatz Changeable insert	Code Nr. Code no.	SW (") A/F (")	Bemerkung notice
HSX 570 F	HX 570 H 213	F93-092-9-05415	2 1/8"	
	HX 570 H 219	F93-092-9-05615	2 1/4"	
	HX 570 H 225	F93-092-9-05715	2 1/4"	
	HX 570 H 238	F93-092-9-06015	2 3/8"	
	HX 570 H 244	F93-092-9-06215	2 7/16"	
	HX 570 H 250	F93-092-9-06415	2 1/2"	
	HX 570 H 256	F93-092-9-06515	2 9/16"	
	HX 570 H 263	F93-092-9-06715	2 5/8"	
	HX 570 H 269	F93-092-9-06815	2 11/16"	
	HX 570 H 275	F93-092-9-07015	2 3/4"	
HSX 580 F	HX 580 H 313	F93-102-9-07905	3 1/8"	

Ratschenkopf Ratchet head	Code Nr. Code no.	SW (mm) A/F (mm)	L1 L1 (inch)	B B (inch)	H H (inch)	Z Z (inch)	R R (inch)	MT _{max} MT _{max} (ft lbs)	Gewicht Weight (kg)
HSX 536 W	G51-050-0-00124	max. 36	8.71	1.93	6.8	1.44	1.36	1991.43	2.85
HSX 550 W	G51-050-0-00324	max. 50	8.71	1.93	7.25	1.44	1.81	3687.83	2.95
HSX 555 W	G51-050-0-00424	max. 55	8.96	1.93	7.33	1.44	1.89	4056.61	3.05
HSX 560 W	G51-050-0-00524	max. 60	8.96	1.93	7.45	1.44	2.0	4056.61	3.05
HSX 565 W	G51-050-0-00624	max. 65	8.96	1.93	7.62	1.44	2.19	4056.61	3.05
HSX 570 W	G51-050-0-00824	max. 70	8.98	1.93	7.9	1.44	2.23	4056.61	3.25
HSX 575 W	G51-050-0-00724	max. 75	8.98	1.93	7.96	1.44	2.3	4056.61	3.25
HSX 580 W	G51-050-0-00924	max. 80	9.18	1.77	8.16	1.44	2.48	4056.61	3.0

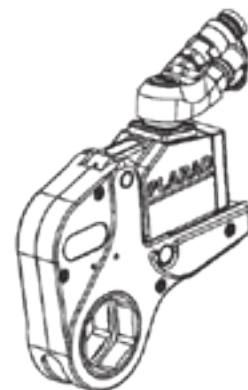
Ratschenkopf <i>Ratched head</i>	Sechskanteinsatz Hexagon key insert	Code Nr. Code no.	SW (mm) A/F (mm)	Bemerkung notice
HSX 536 W	HXW 536 H 24 M	F93-046-9-02405	24	
	HXW 536 H 27 M	F93-046-9-02705	27	
	HXW 536 H 30 M	F93-046-9-03005	30	
	HXW 536 H 32 M	F93-046-9-03205	32	
	HXW 536 H 36 M	F93-046-9-03605	36	
HSX 550 W	HXW 550 H 30 M	F93-063-9-03001	30	
	HXW 550 H 32 M	F93-063-9-03201	32	
	HXW 550 H 36 M	F93-063-9-03601	36	
	HXW 550 H 41 M	F93-063-9-04101	41	
	HXW 550 H 46 M	F93-063-9-04601	46	
	HXW 550 H 50 M	F93-063-9-05001	50	
HSX 555 W	HXW 555 H 30 M	F93-068-9-03001	30	
	HXW 555 H 32 M	F93-068-9-03201	32	
	HXW 555 H 36 M	F93-068-9-03601	36	
	HXW 555 H 41 M	F93-068-9-04101	41	
	HXW 555 H 46 M	F93-068-9-04601	46	
	HXW 555 H 50 M	F93-068-9-05001	50	
	HXW 555 H 55 M	F93-068-9-05501	55	
HSX 560 W	HXW 560 H 42 M	F93-076-9-04233	42	
	HXW 560 H 46 M	F93-076-9-04633	46	
	HXW 560 H 50 M	F93-076-9-05033	50	
	HXW 560 H 55 M	F93-076-9-05533	55	
	HXW 560 H 60 M	F93-076-9-06033	60	

Ratschenkopf <i>Ratched head</i>	Sechskanteinsatz Hexagon key insert	Code Nr. Code no.	SW (mm) A/F (mm)	Bemerkung notice
HSX 565 W	HXW 565 H 46 M	F93-080-9-04603	46	
	HXW 565 H 50 M	F93-080-9-05003	50	
	HXW 565 H 54 M	F93-080-9-05403	54	
	HXW 565 H 55 M	F93-080-9-05503	55	
	HXW 565 H 58 M	F93-080-9-05803	58	
	HXW 565 H 60 M	F93-080-9-06003	60	
	HXW 565 H 63 M	F93-080-9-06303	63	
	HXW 565 H 65 M	F93-080-9-06503	65	
HSX 570 W	HXW 570 H 46 M	F93-085-9-04601	46	
	HXW 570 H 50 M	F93-085-9-05001	50	
	HXW 570 H 55 M	F93-085-9-05501	55	
	HXW 570 H 60 M	F93-085-9-06001	60	
	HXW 570 H 65 M	F93-085-9-06501	65	
	HXW 570 H 70 M	F93-085-9-07001	70	
HSX 575 W	HXW 575 H 24 M	F93-092-9-02420	24	
	HXW 575 H 27 M	F93-092-9-02720	27	
	HXW 575 H 30 M	F93-092-9-03020	30	
	HXW 575 H 32 M	F93-092-9-03220	32	
	HXW 575 H 36 M	F93-092-9-03620	36	
	HXW 575 H 41 M	F93-092-9-04120	41	
	HXW 575 H 46 M	F93-092-9-04620	46	
	HXW 575 H 50 M	F93-092-9-05020	50	
	HXW 575 H 55 M	F93-092-9-05520	55	
	HXW 575 H 60 M	F93-092-9-06020	60	
	HXW 575 H 65 M	F93-092-9-06520	65	
	HXW 575 H 70 M	F93-092-9-07020	70	
	HXW 575 H 75 M	F93-092-9-07520	75	

Ratschenkopf Ratchet head	Code Nr. Code no.	SW (") A/F (")	L1 L1 (inch)	B B (inch)	H H (inch)	Z Z (inch)	R R (inch)	MT _{max} MT _{max} (ft lbs)	Gewicht Weight (kg)
HSX 536 W	G51-050-0-00124	max. 1 ³ / ₈ "	8.7	1.93	6.8	1.44	1.36	1991.43	2.85
HSX 550 W	G51-050-0-00324	max. 1 ¹⁵ / ₁₆ "	8.7	1.93	7.25	1.44	1.81	3687.83	2.95
HSX 555 W	G51-050-0-00424	max. 2 ¹ / ₈ "	8.96	1.95	7.33	1.44	1.89	4056.61	3.05
HSX 560 W	G51-050-0-00524	max. 2 ⁵ / ₁₆ "	8.96	1.95	7.45	1.44	2.01	4056.61	3.05
HSX 565 W	G51-050-0-00624	max. 2 ¹ / ₂ "	8.97	1.97	7.62	1.44	2.19	4056.61	3.05
HSX 570 W	G51-050-0-00824	max. 2 ³ / ₄ "	8.98	1.97	7.9	1.44	2.23	4056.61	3.25
HSX 575 W	G51-050-0-00724	max. 2 ¹⁵ / ₁₆ "	8.98	1.97	7.96	1.44	2.31	4056.61	3.25
HSX 580 W	G51-050-0-00924	max. 3 ¹ / ₈ "	9.18	1.77	8.16	1.44	2.48	4056.61	3.0

Ratschenkopf <i>Ratched head</i>	Wechseleinsatz Changeable insert	Code Nr. Code no.	SW (") A/F (")	Bemerkung notice
HSX 536 W	HXW 536 H 094	F93-046-9-02406	1 ⁵ / ₁₆ "	
	HXW 536 H 100	F93-046-9-02506	1"	
	HXW 536 H 106	F93-046-9-02706	1 ¹ / ₁₆ "	
	HXW 536 H 113	F93-046-9-02906	1 ¹ / ₈ "	
	HXW 536 H 119	F93-046-9-03006	1 ³ / ₁₆ "	
	HXW 536 H 125	F93-046-9-03206	1 ¹ / ₄ "	
	HXW 536 H 131	F93-046-9-03306	1 ⁵ / ₁₆ "	
	HXW 536 H 138	F93-046-9-03506	1 ³ / ₈ "	
HSX 550 W	HXW 550 H 163	F93-063-9-04102	1 ⁵ / ₈ "	
	HXW 550 H 169	F93-063-9-04302	1 ¹¹ / ₁₆ "	
	HXW 550 H 175	F93-063-9-04502	1 ³ / ₄ "	
	HXW 550 H 181	F93-063-9-04602	1 ¹³ / ₁₆ "	
	HXW 550 H 188	F93-063-9-04802	1 ⁷ / ₈ "	
	HXW 550 H 194	F93-063-9-04902	1 ¹⁵ / ₁₆ "	

Ratschenkopf <i>Ratcheted head</i>	Wechseleinsatz Changeable insert	Code Nr. Code no.	SW (") A/F (")	Bemerkung notice
HSX 555 W	HXW 555 H 181	F93-068-9-04604	1 ¹³ / ₁₆ "	
	HXW 555 H 188	F93-068-9-04804	1 ⁷ / ₈ "	
	HXW 555 H 194	F93-068-9-04904	1 ¹⁵ / ₁₆ "	
	HXW 555 H 200	F93-068-9-05104	2"	
	HXW 555 H 206	F93-068-9-05204	2 ¹ / ₁₆ "	
	HXW 555 H 213	F93-068-9-05404	2 ¹ / ₈ "	
	HXW 555 H 219	F93-068-9-05604	2 ³ / ₁₆ "	
HSX 560 W	HXW 560 H 219	F93-076-9-05633	2 ³ / ₁₆ "	
HSX 565 W	HXW 565 H 194	F93-080-9-04904	1 ¹⁵ / ₁₆ "	
	HXW 565 H 200	F93-080-9-05104	2"	
	HXW 565 H 206	F93-080-9-05204	2 ¹ / ₁₆ "	
	HXW 565 H 213	F93-080-9-05404	2 ¹ / ₈ "	
	HXW 565 H 219	F93-080-9-05604	2 ³ / ₁₆ "	
	HXW 565 H 225	F93-080-9-05704	2 ¹ / ₄ "	
	HXW 565 H 238	F93-080-9-06004	2 ³ / ₈ "	
	HXW 565 H 244	F93-080-9-06204	2 ⁷ / ₁₆ "	
	HXW 565 H 250	F93-080-9-06404	2 ¹ / ₂ "	
	HXW 565 H 256	F93-080-9-06504	2 ⁹ / ₁₆ "	
	HSX 570 W	HXW 570 H 238	F93-085-9-06002	2 ³ / ₈ "
HXW 570 H 256		F93-085-9-06502	2 ⁹ / ₁₆ "	
HXW 570 H 263		F93-085-9-06702	2 ⁵ / ₈ "	
HXW 570 H 269		F93-085-9-06802	2 ¹¹ / ₁₆ "	
HXW 570 H 275		F93-085-9-07002	2 ³ / ₄ "	
HSX 575 W	HXW 575 H 238	F93-092-9-06022	2 ³ / ₈ "	
	HXW 575 H 244	F93-092-9-06222	2 ⁷ / ₁₆ "	
	HXW 575 H 250	F93-092-9-06422	2 ¹ / ₂ "	
	HXW 575 H 256	F93-092-9-06522	2 ⁹ / ₁₆ "	
	HXW 575 H 263	F93-092-9-06722	2 ⁵ / ₈ "	
	HXW 575 H 269	F93-092-9-06822	2 ¹¹ / ₁₆ "	
	HXW 575 H 275	F93-092-9-07022	2 ³ / ₄ "	
	HXW 575 H 281	F93-092-9-07122	2 ¹³ / ₁₆ "	
	HXW 575 H 294	F93-092-9-07522	2 ¹⁵ / ₁₆ "	



SX - EC 12

Antriebseinheit Drive unit	Code Nr. Code no.	Leistungsbereich Performance range	B2 B2	Gewicht Weight
SX - EC 12 TS	G52-120-0-00315	885.08 - 8850.79 ft lbs	2.52 inch	3.8 kg
SX - EC 12 MS-O	G52-120-0-00115	885.08 - 8850.79 ft lbs	2.52 inch	3.9 kg
SX - EC 12 MS-H	G52-120-0-00415	885.08 - 8850.79 ft lbs	2.52 inch	3.9 kg
SX - EC 12 MF	G52-120-0-00215	885.08 - 8850.79 ft lbs	2.52 inch	3.8 kg

Ratschenkopf Ratchet head	Code Nr. Code no.	SW (mm) A/F (mm)	L1 L1 (inch)	B B (inch)	H H (inch)	Z Z (inch)	R R (inch)	MT _{max} MT _{max} (ft lbs)	Gewicht Weight (kg)
HSX 12055 F	G51-120-0-00520	55	11.43	2.0	8.45	1.28	1.93	5531.74	3.9
HSX 12060 F	G51-120-0-00620	60	11.56	2.0	8.57	1.28	2.05	5531.74	3.9
HSX 12065 F	G51-120-0-01320	65	11.68	2.0	8.67	1.28	2.15	5900.52	3.9
HSX 12070 F	G51-120-0-00720	70	11.74	2.0	8.9	1.28	2.4	8482.00	4.0
HSX 12075 F	G51-120-0-01520	75	11.74	2.0	8.98	1.28	2.4	8850.79	4.0
HSX 12080 F	G51-120-0-00120	80	11.74	2.0	9.14	1.28	2.6	8850.79	4.1
HSX 12085 F	G51-120-0-01120	85	11.82	2.0	9.24	1.28	2.72	8850.79	4.2
HSX 12090 F	G51-120-0-01220	90	11.82	2.0	9.37	1.28	2.86	8850.79	4.2
HSX 12095 F	G51-120-0-00220	95	11.82	2.0	9.37	1.28	2.86	8850.79	4.3
HSX 12100 F	G51-120-0-00326	100	11.82	2.0	9.67	1.28	2.95	8850.79	4.4
HSX 12105 F	G51-120-0-01620	105	11.84	2.0	9.73	1.28	3.01	8850.79	4.5
HSX 12110 F	G51-120-0-00826	110	12.02	2.0	10.17	1.28	3.27	8850.79	4.6
HSX 12120 F	G51-120-0-01420	120	12.25	2.0	10.42	1.28	3.35	8850.79	4.6

Ratschenkopf Ratched head	Sechskanteinsatz Hexagon key insert	Code Nr. Code no.	SW (mm) A/F (mm)	Bemerkung notice
HSX 12060 F	HX 12060 H 50 M	F93-086-9-05022	50	
	HX 12060 H 51 M	F93-086-9-05122	51	
	HX 12060 H 55 M	F93-086-9-05522	55	
	HX 12060 H 56 M	F93-086-9-05622	56	
	HX 12060 H 60 M	F93-086-9-06022	60	
HSX 12065 F	HX 12065 H 50 M	F93-090-9-05007	50	
	HX 12060 H 55 M	F93-090-9-05507	55	
	HX 12060 H 60 M	F93-090-9-06007	60	
	HX 12060 H 63 M	F93-090-9-06307	63	
	HX 12060 H 65 M	F93-090-9-06507	65	
HSX 12070 F	HX 12070 H 50 M	F93-098-9-05003	50	
	HX 12070 H 55 M	F93-098-9-05503	55	
	HX 12070 H 60 M	F93-098-9-06003	60	
	HX 12070 H 65 M	F93-098-9-06503	65	
	HX 12070 H 67 M	F93-098-9-06703	67	
	HX 12070 H 70 M	F93-098-9-07003	70	
HSX 12075 F	HX 12075 H 46 M	F93-102-9-04610	46	
	HX 12075 H 55 M	F93-102-9-05510	55	
	HX 12075 H 60 M	F93-102-9-06010	60	
	HX 12075 H 65 M	F93-102-9-06510	65	
	HX 12075 H 70 M	F93-102-9-07010	70	
	HX 12075 H 75 M	F93-102-9-07510	75	
HSX 12080 F	HX 12080 H 57 M	F93-108-9-05710	57	
	HX 12080 H 65 M	F93-108-9-06510	65	
	HX 12080 H 70 M	F93-108-9-07010	70	
	HX 12080 H 71 M	F93-108-9-07110	71	
	HX 12080 H 75 M	F93-108-9-07510	75	
	HX 12080 H 77 M	F93-108-9-07710	77	
	HX 12080 H 80 M	F93-108-9-08010	80	

Ratschenkopf <i>Ratched head</i>	Sechskanteinsatz Hexagon key insert	Code Nr. Code no.	SW (mm) A/F (mm)	Bemerkung notice
HSX 12085 F	HX 12085 H 80 M	F93-108-9-05710	57	
	HX 12085 H 85 M	F93-108-9-06510	65	
HSX 12090 F	HX 12090 H 75 M	F93-122-9-07522	75	
	HX 12090 H 80 M	F93-122-9-08022	80	
	HX 12090 H 85 M	F93-122-9-08522	85	
	HX 12090 H 90 M	F93-122-9-09022	90	
HSX 12095 F	HX 12095 H 65 M	F93-123-9-06501	65	
	HX 12095 H 70 M	F93-123-9-07001	70	
	HX 12095 H 75 M	F93-123-9-07501	75	
	HX 12095 H 80 M	F93-123-9-08001	80	
	HX 12095 H 85 M	F93-123-9-08501	85	
	HX 12095 H 90 M	F93-123-9-09001	90	
	HX 12095 H 95 M	F93-123-9-09501	95	
HSX 12100 F	HX 12100 H 70 M	F93-130-9-07005	70	
	HX 12100 H 75 M	F93-130-9-07505	75	
	HX 12100 H 80 M	F93-130-9-08005	80	
	HX 12100 H 85 M	F93-130-9-08505	85	
	HX 12100 H 90 M	F93-130-9-09005	90	
	HX 12100 H 95 M	F93-130-9-09505	95	
	HX 12100 H 100 M	F93-130-9-10005	100	

Ratschenkopf Ratchet head	Code Nr. Code no.	SW (") A/F (")	L1 L1 (inch)	B B (inch)	H H (inch)	Z Z (inch)	R R (inch)	MT _{max} MT _{max} (ft lbs)	Gewicht Weight (kg)
HSX 12055 F	G51-120-0-00525	2 1/8"	11.43	2.0	8.45	1.28	1.93	5531.74	3.9
HSX 12060 F	G51-120-0-00625	2 5/16"	11.56	2.0	8.57	1.28	2.05	5531.74	3.9
HSX 12065 F	G51-120-0-01325	2 1/2"	11.68	2.0	8.67	1.28	2.15	5900.52	3.9
HSX 12070 F	G51-120-0-00725	2 3/4"	11.74	2.0	8.9	1.28	2.4	8482.00	4.0
HSX 12075 F	G51-120-0-01425	2 15/16"	11.74	2.0	8.98	1.28	2.46	8850.79	4.0
HSX 12080 F	G51-120-0-00125	3 1/8"	11.74	2.0	9.14	1.28	2.62	8850.79	4.1
HSX 12085 F	G51-120-0-01125	3 5/16"	11.82	2.0	9.24	1.28	2.72	8850.79	4.2
HSX 12090 F	G51-120-0-01225	3 1/2"	11.82	2.0	9.38	1.28	2.86	8850.79	4.2
HSX 12095 F	G51-120-0-00225	3 3/4"	11.82	2.0	9.38	1.28	2.86	8850.79	4.3
HSX 12100 F	G51-120-0-00526	3 7/8"	11.82	2.0	9.67	1.28	2.96	8850.79	4.4
HSX 12105 F	G51-120-0-01725	4 1/8"	11.84	2.0	9.73	1.28	3.01	8850.79	4.5
HSX 12110 F	G51-120-0-00825	4 1/4"	12.02	2.0	10.16	1.28	3.27	8850.79	4.6
HSX 12120 F	G51-120-0-01525	4 5/8"	12.25	2.0	10.42	1.28	3.35	8850.79	4.6

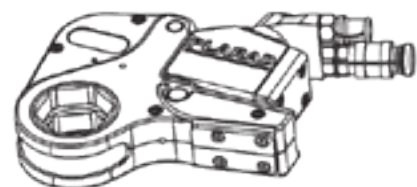
Ratschenkopf <i>Ratched head</i>	Wechseleinsatz Changeable insert	Code Nr. Code no.	SW (") A/F (")	Bemerkung notice
HSX 12100 F	HX 12100 H 388	F93-130-9-09905	3 7/8"	

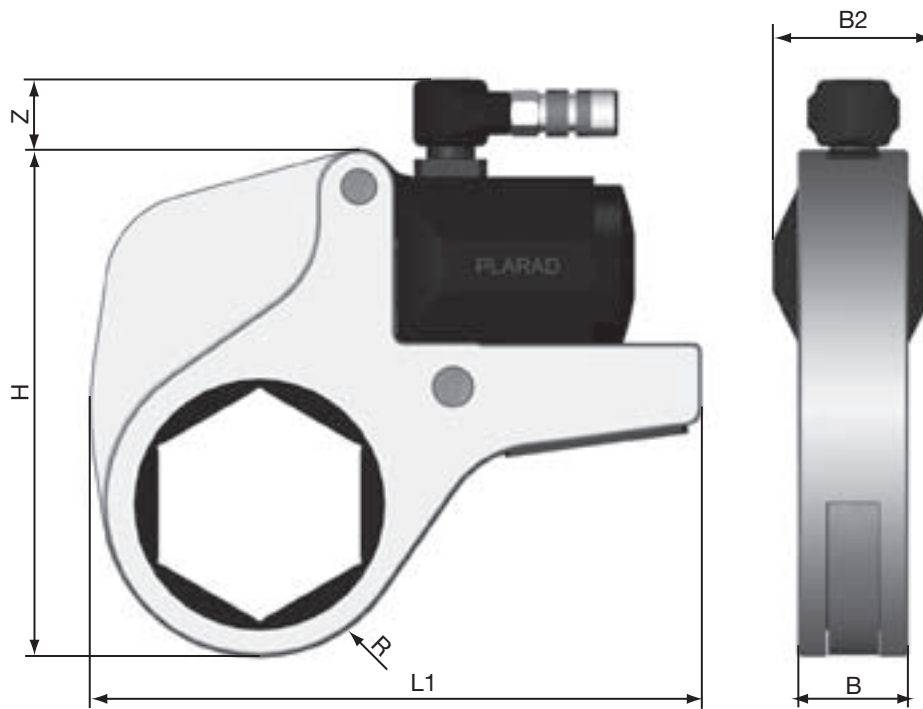
Ratschenkopf Ratchet head	Code Nr. Code no.	SW (mm) A/F (mm)	L1 L1 (inch)	B B (inch)	H H (inch)	Z Z (inch)	R R (inch)	MT _{max} MT _{max} (ft lbs)	Gewicht Weight (kg)
HSX 12055 W	G51-120-0-00924	max. 55	11.68	2.25	8.67	1.28	2.15	5900.52	4.2
HSX 12060 W	G51-120-0-01224	max. 60	11.74	2.25	8.92	1.28	2.4	5531.74	4.2
HSX 12065 W	G51-120-0-00424	max. 65	11.74	2.25	8.92	1.28	2.4	8113.22	4.3
HSX 12070 W	G51-120-0-00126	max. 70	11.82	2.29	9.24	1.28	2.72	8482.00	4.5
HSX 12075 W	G51-120-0-00324	max. 75	11.82	2.29	9.38	1.28	2.86	8850.79	4.5
HSX 12080 W	G51-120-0-00124	max. 80	11.82	2.29	9.24	1.28	2.72	8850.79	4.5
HSX 12085 W	G51-120-0-00224	max. 85	11.82	2.29	9.38	1.28	2.86	8850.79	4.5
HSX 12090 W	G51-120-0-00226	max. 90	11.82	2.29	9.67	1.28	2.95	8113.22	4.6
HSX 12095 W	G51-120-0-01124	max. 95	11.84	2.29	9.73	1.28	3.01	8850.79	4.7
HSX 12115 W	G51-120-0-01324	max. 115	12.45	2.29	10.78	1.28	3.55	8850.79	4.9

Ratschenkopf <i>Ratched head</i>	Wechseleinsatz Changeable insert	Code Nr. Code no.	SW (mm) A/F (mm)	Bemerkung notice
HSX 12055 W	HXW 12055 H 41M	F93-074-9-04117	41	
	HXW 12055 H 46M	F93-074-9-04617	46	
	HXW 12055 H 50M	F93-074-9-05017	50	
	HXW 12055 H 55M	F93-074-9-05517	55	
HSX 12065 W	HXW 12065 H 36M	F93-082-9-03601	36	
	HXW 12065 H 41M	F93-082-9-04101	41	
	HXW 12065 H 46M	F93-082-9-04601	46	
	HXW 12065 H 50M	F93-082-9-05001	50	
	HXW 12065 H 55M	F93-082-9-05501	55	
	HXW 12065 H 60M	F93-082-9-06001	60	
	HXW 12065 H 65M	F93-082-9-06501	65	
HSX 12070 W	HXW 12070 H 56M	F93-096-9-05632	56	
	HXW 12070 H 70M	F93-096-9-07032	70	
HSX 12075 W	HXW 12075 H 55M	F93-102-9-05512	55	
	HXW 12075 H 60M	F93-102-9-06012	60	
	HXW 12075 H 65M	F93-102-9-06512	65	
	HXW 12075 H 70M	F93-102-9-07012	70	
	HXW 12075 H 75M	F93-102-9-07512	75	
HSX 12080 W	HXW 12080 H 46M	F93-100-9-04602	46	
	HXW 12080 H 50M	F93-100-9-05002	50	
	HXW 12080 H 55M	F93-100-9-05502	55	
	HXW 12080 H 60M	F93-100-9-06002	60	
	HXW 12080 H 65M	F93-100-9-06502	65	
	HXW 12080 H 70M	F93-100-9-07002	70	
	HXW 12080 H 75M	F93-100-9-07502	75	
	HXW 12080 H 80M	F93-100-9-08002	80	
HSX 12085 W	HXW 12085 H 41M	F93-106-9-04101	41	
	HXW 12085 H 46M	F93-106-9-04601	46	
	HXW 12085 H 50M	F93-106-9-05001	50	
	HXW 12085 H 55M	F93-106-9-05501	55	
	HXW 12085 H 60M	F93-106-9-06001	60	
	HXW 12085 H 65M	F93-106-9-06501	65	
	HXW 12085 H 70M	F93-106-9-07001	70	
	HXW 12085 H 75M	F93-106-9-07501	75	
	HXW 12085 H 77M	F93-106-9-07701	77	
	HXW 12085 H 80M	F93-106-9-08001	80	
	HXW 12085 H 85M	F93-106-9-08501	85	
HSX 12090 W	HXW 12090 H 70M	F93-114-9-07001	70	
	HXW 12090 H 75M	F93-114-9-07501	75	
	HXW 12090 H 80M	F93-114-9-08001	80	
	HXW 12090 H 85M	F93-114-9-08501	85	
	HXW 12090 H 90M	F93-114-9-09001	90	
HSX 12095 W	HXW 12095 H 65M	F93-118-9-06501	65	
	HXW 12095 H 75M	F93-118-9-07501	75	
	HXW 12095 H 77M	F93-118-9-07701	77	
	HXW 12095 H 80M	F93-118-9-08001	80	
	HXW 12095 H 85M	F93-118-9-08501	85	
	HXW 12095 H 90M	F93-118-9-09001	90	
	HXW 12095 H 95M	F93-118-9-09501	95	
HSX 12115 W	HXW 12115 H 75M	F93-144-9-07509	75	
	HXW 12115 H 100M	F93-144-9-10009	100	
	HXW 12115 H 115M	F93-144-9-11509	115	

Ratschenkopf Ratchet head	Code Nr. Code no.	SW (") A/F (")	L1 L1 (inch)	B B (inch)	H H (inch)	Z Z (inch)	R R (inch)	MT _{max} MT _{max} (ft lbs)	Gewicht Weight (kg)
HSX 12055 W	G51-120-0-00924	max. 2 ^{1/8} "	11.68	2.25	8.67	1.28	2.15	5900.52	4.2
HSX 12060 W	G51-120-0-01224	max. 2 ^{5/16} "	11.74	2.25	8.92	1.28	2.4	5531.74	4.2
HSX 12065 W	G51-120-0-00424	max. 2 ^{1/2} "	11.74	2.25	8.92	1.28	2.4	8113.22	4.3
HSX 12070 W	G51-120-0-00126	max. 2 ^{3/4} "	11.82	2.29	9.24	1.28	2.72	8482.00	4.5
HSX 12075 W	G51-120-0-00324	max. 2 ^{15/16} "	11.82	2.29	9.38	1.28	2.86	8850.79	4.5
HSX 12080 W	G51-120-0-00124	max. 3 ^{1/8} "	11.82	2.29	9.24	1.28	2.72	8850.79	4.5
HSX 12085 W	G51-120-0-00224	max. 3 ^{5/16} "	11.82	2.29	9.38	1.28	2.86	8850.79	4.5
HSX 12090 W	G51-120-0-00226	max. 3 ^{1/2} "	11.82	2.29	9.67	1.28	2.96	8113.22	4.6
HSX 12095 W	G51-120-0-01124	max. 3 ^{5/8} "	11.84	2.29	9.73	1.28	3.01	8850.79	4.7
HSX 12115 W	G51-120-0-01324	max. 4 ^{1/2} "	12.45	2.29	10.78	1.28	3.55	8850.79	4.9

Ratschenkopf Ratched head	Wechseleinsatz Changeable insert	Code Nr. Code no.	SW (") A/F (")	Bemerkung notice
HSX 12055 W	HXW 12055 H 200	F93-074-9-05118	2"	
HSX 12065 W	HXW 12065 H 256	F93-082-9-06502	2 ^{9/16} "	
HSX 12080 W	HXW 12080 H 181	F93-100-9-04603	1 ^{13/16} "	
	HXW 12080 H 188	F93-100-9-04803	1 ^{7/8} "	
	HXW 12080 H 194	F93-100-9-05003	1 ^{15/16} "	
	HXW 12080 H 200	F93-100-9-05103	2"	
	HXW 12080 H 206	F93-100-9-05203	2 ^{1/16} "	
	HXW 12080 H 213	F93-100-9-05403	2 ^{1/8} "	
	HXW 12080 H 219	F93-100-9-05603	2 ^{3/16} "	
	HXW 12080 H 225	F93-100-9-05703	2 ^{1/4} "	
	HXW 12080 H 238	F93-100-9-06003	2 ^{3/8} "	
	HXW 12080 H 244	F93-100-9-06203	2 ^{7/16} "	
	HXW 12080 H 250	F93-100-9-06403	2 ^{1/2} "	
	HXW 12080 H 256	F93-100-9-06503	2 ^{9/16} "	
	HXW 12080 H 263	F93-100-9-06703	2 ^{5/8} "	
	HXW 12080 H 269	F93-100-9-06803	2 ^{11/16} "	
	HXW 12080 H 275	F93-100-9-07003	2 ^{3/4} "	
	HXW 12080 H 281	F93-100-9-07103	2 ^{13/16} "	
	HXW 12080 H 294	F93-100-9-07503	2 ^{15/16} "	
	HXW 12080 H 300	F93-100-9-07603	3"	
	HXW 12080 H 313	F93-100-9-08003	3 ^{1/8} "	
HSX 12085 W	HXW 12085 H 300	F93-106-9-07602	3"	
	HXW 12085 H 313	F93-106-9-08002	3 ^{1/8} "	
	HXW 12085 H 325	F93-106-9-08302	3 ^{1/4} "	
	HXW 12085 H 331	F93-106-9-08402	3 ^{5/16} "	





SX - 20

Antriebseinheit Drive unit	Code Nr. Code no.	Leistungsbereich Performance range	B2 B2	Gewicht Weight
SX - 20 TST	G52-200-0-00114	1475.13 - 14751.31 ft lbs	3.78 inch	5.9 kg

Ratschenkopf Ratchet head	Code Nr. Code no.	SW (mm) A/F (mm)	L1 L1 (inch)	B B (inch)	H H (inch)	Z Z (inch)	R R (inch)	MT _{max} MT _{max} (ft lbs)	Gewicht Weight (kg)
HSX 20055 F	G51-200-0-01225	55	13.4	2.58	12.05	1.6	2.09	8850.76	9.6
HSX 20065 F	G51-200-0-00225	65	13.67	2.58	10.64	1.6	2.33	9588.35	9.7
HSX 20075 F	G51-200-0-00325	75	13.95	2.58	10.74	1.6	2.42	10325.9	9.9
HSX 20080 F	G51-200-0-00925	80	13.99	2.58	10.87	1.6	2.56	11432.3	10.0
HSX 20090 F	G51-200-0-00425	90	14.07	2.58	11.09	1.6	2.78	11801.1	10.1
HSX 20095 F	G51-200-0-00525	95	14.07	2.58	11.29	1.6	2.97	14751.3	10.4
HSX 20105 F	G51-200-0-00625	105	14.18	2.58	11.66	1.6	3.25	14751.3	10.6
HSX 20110 F	G51-200-0-00725	110	14.26	2.58	11.68	1.6	3.37	14751.3	10.9
HSX 20115 F	G51-200-0-01125	115	14.18	2.58	11.76	1.6	3.45	14751.3	11.1
HSX 20120 F	G51-200-0-00825	120	14.0	2.58	11.88	1.6	3.57	14751.3	11.3
HSX 20130 F	G51-200-0-01025	130	14.46	2.58	12.37	1.6	3.74	14751.3	12.4
HSX 20135 F	G51-200-0-01325	135	14.54	2.58	12.45	1.6	3.82	14751.3	12.8
HSX 20145 F	G51-200-0-01625	145	14.85	2.58	13.12	1.6	4.14	14751.3	13.7

Ratschenkopf Ratched head	Wechseleinsatz Changeable insert	Code Nr. Code no.	SW (mm) A/F (mm)	Bemerkung notice
HSX 20065 F	HX 20065 H 65 M	F93-094-9-06502	65	
HSX 20075 F	HX 20075 H 50 M	F93-102-9-05011	50	
	HX 20075 H 55 M	F93-102-9-05511	55	
	HX 20075 H 65 M	F93-102-9-06511	65	
	HX 20075 H 70 M	F93-102-9-07011	70	
	HX 20075 H 75 M	F93-102-9-07511	75	
HSX 20080 F	HX 20080 H 75 M	F93-108-9-07509	75	
	HX 20080 H 77 M	F93-108-9-07709	77	
	HX 20080 H 80 M	F93-108-9-08009	80	
HSX 20095 F	HX 20095 H 80 M	F93-126-9-08009	80	
	HX 20095 H 85 M	F93-126-9-08509	85	
	HX 20095 H 90 M	F93-126-9-09009	90	
	HX 20095 H 95 M	F93-126-9-09509	95	

Ratschenkopf <i>Ratched head</i>	Wechseleinsatz Changeable insert	Code Nr. Code no.	SW (mm) A/F (mm)	Bemerkung notice
HSX 20105 F	HX 20105 H 105 M	F93-138-9-10501	105	
HSX 20110 F	HX 20110 H 110 M	F93-146-9-11001	110	
HSX 20115 F	HX 20115 H 110 M	F93-148-9-11000	110	
	HX 20115 H 115 M	F93-148-9-11500	115	
HSX 20130 F	HX 20130 H 130 M	F93-166-9-13001	130	

Ratschenkopf Ratchet head	Code Nr. Code no.	SW (mm/“) A/F (mm/“)	L1 L1 (inch)	B B (inch)	H H (inch)	Z Z (inch)	R R (inch)	MT _{max} MT _{max} (ft lbs)	Gewicht Weight (kg)
HSX 20065 F	G51-200-0-00227	2 1/2“	13.67	2.58	10.64	1.6	2.33	9588.35	9.7
HSX 20075 F	G51-200-0-00327	2 15/16“	13.95	2.58	10.74	1.6	2.42	10325.9	9.9
HSX 20080 F	G51-200-0-01327	3 1/8“	13.99	2.58	10.88	1.6	2.56	11432.3	10.0
HSX 20090 F	G51-200-0-00427	3 1/2“	14.07	2.58	11.09	1.6	2.78	11801.1	10.1
HSX 20095 F	G51-200-0-00527	3 5/8“	14.07	2.58	11.29	1.6	2.98	14751.3	10.4
HSX 20105 F	G51-200-0-00627	4 1/8“	14.18	2.58	11.66	1.6	3.25	14751.3	10.6
HSX 20110 F	G51-200-0-00727	4 5/16“	14.26	2.58	11.68	1.6	3.37	14751.3	10.9
HSX 20120 F	G51-200-0-00827	4 5/8“	14.3	2.58	11.88	1.6	3.57	14751.3	11.3
HSX 20130 F	G51-200-0-00927	5 1/16“	14.46	2.58	12.37	1.6	3.74	14751.3	12.4
HSX 20135 F	G51-200-0-01326	5 1/4“	14.54	2.58	12.45	1.6	3.82	14751.3	12.8
HSX 20145 F	G51-200-0-01626	5 3/8“	14.85	2.58	13.12	1.6	4.14	14751.3	13.7
HSX 20065 W	G51-200-0-00624	max. 65	13.95	2.58	10.74	1.6	2.42	10325.9	11.0
HSX 20085 W	G51-200-0-00224	max. 85	14.07	2.58	11.29	1.6	2.98	14751.3	11.1
HSX 20095 W	G51-200-0-00324	max. 95	14.18	2.58	11.66	1.6	3.35	14751.3	11.3
HSX 20105 W	G51-200-0-01224	max. 105	14.18	2.58	11.76	1.6	3.45	14751.3	11.6
HSX 20115 W	G51-200-0-01124	max. 115	14.34	2.58	11.92	1.6	3.6	14751.3	11.9
HSX 20120 W	G51-200-0-01024	max. 120	14.46	2.58	12.37	1.6	3.74	14751.3	12.4
HSX 20135 W	G51-200-0-01324	max. 135	14.85	2.58	13.12	1.6	4.14	14751.3	12.9
HSX 20065 W	G51-200-0-00624	max. 2 1/2“	13.95	2.58	10.74	1.6	2.42	10325.9	11.0
HSX 20085 W	G51-200-0-00224	max. 3 5/16“	14.07	2.58	11.29	1.6	2.98	14751.3	11.1
HSX 20095 W	G51-200-0-00324	max. 3 5/8“	14.18	2.58	11.66	1.6	3.35	14751.3	11.3
HSX 20105 W	G51-200-0-01224	max. 4 1/8“	14.18	2.58	11.76	1.6	3.45	14751.3	11.6
HSX 20115 W	G51-200-0-01124	max. 4 1/2“	14.34	2.58	11.92	1.6	3.6	14751.3	11.9
HSX 20120 W	G51-200-0-01024	max. 4 5/8“	14.46	2.58	12.37	1.6	3.74	14751.3	12.4
HSX 20135 W	G51-200-0-01324	max. 5 5/8“	14.85	2.58	13.12	1.6	4.14	14751.3	12.9

Ratschenkopf <i>Ratched head</i>	Wechseleinsatz Changeable insert	Code Nr. Code no.	SW (mm) A/F (mm)	Bemerkung notice
HSX 20095 W	HXW 20095 H 65 M	F93-122-9-06523	65	
	HXW 20095 H 75 M	F93-122-9-07523	75	
	HXW 20095 H 85 M	F93-122-9-08523	85	
	HXW 20095 H 95 M	F93-122-9-09523	95	
HSX 20105 W	HXW 20105 H 75 M	F93-132-9-07501	75	
	HXW 20105 H 77 M	F93-132-9-07701	77	
	HXW 20105 H 80 M	F93-132-9-08001	80	
	HXW 20105 H 85 M	F93-132-9-08501	85	
	HXW 20105 H 90 M	F93-132-9-09001	90	
	HXW 20105 H 95 M	F93-132-9-09501	95	
	HXW 20105 H 100 M	F93-132-9-10001	100	
	HXW 20105 H 105 M	F93-132-9-10501	105	
HSX 20115 W	HXW 20115 H 109 M	F93-144-9-10906	109	
	HXW 20115 H 110 M	F93-144-9-11008	110	
	HXW 20115 H 115 M	F93-144-9-11508	115	

Ratschenkopf <i>Ratched head</i>	Wechseleinsatz Changeable insert	Code Nr. Code no.	SW (mm) A/F (mm)	Bemerkung notice
HSX 20120 W	HXW 20120 H 105 M	F93-150-9-10501	105	
	HXW 20120 H 110 M	F93-150-9-11001	110	
	HXW 20120 H 115 M	F93-150-9-11501	115	
	HXW 20120 H 120 M	F93-150-9-12001	120	
HSX 20120 W	HXW 20120 HD 105 M	F93-150-8-10501	105	
	HXW 20120 HD 110 M	F93-150-8-11001	110	
	HXW 20120 HD 115 M	F93-150-8-11501	115	
	HXW 20120 HD 120 M	F93-150-8-12001	120	

SX - 30

Antriebseinheit Drive unit	Code Nr. Code no.	Leistungsbereich Performance range	B2 B2	Gewicht Weight
SX - 30 TST	G52-300-0-00114	2212.69 - 22127.0 ft lbs	4.04 inch	8.7 kg

Ratschenkopf Ratchet head	Code Nr. Code no.	SW (mm) A/F (mm)	L1 L1 (inch)	B B (inch)	H H (inch)	Z Z (inch)	R R (inch)	MT _{max} MT _{max} (ft lbs)	Gewicht Weight (kg)
HSX 30095 F	G51-300-0-00821	95	14.95	3.03	11.92	2.25	3.03	22127.0	16.6
HSX 30100 F	G51-300-0-01221	100	14.95	3.03	12.53	2.25	3.65	22127.0	16.8
HSX 30115 F	G51-300-0-00521	115	14.95	3.03	12.53	2.25	3.65	22127.0	17.2
HSX 30130 F	G51-300-0-00621	130	15.31	3.03	12.9	2.25	3.92	22127.0	17.8
HSX 30145 F	G51-300-0-00721	145	15.96	3.03	13.79	2.25	4.41	22127.0	18.4

Ratschenkopf <i>Ratched head</i>	Sechskanteinsatz Hexagon key insert	Code Nr. Code no.	SW (mm) A/F (mm)	Bemerkung notice
HSX 30115 F	HX 30115 H 115 M	F93-152-9-11502	115	
HSX 30130 F	HX 30130 H 130 M	F93-168-9-13000	130	
HSX 30145 F	HX 30145 H 145 M	F93-188-9-14500	145	

Ratschenkopf Ratchet head	Code Nr. Code no.	SW (mm/“) A/F (mm/“)	L1 L1 (inch)	B B (inch)	H H (inch)	Z Z (inch)	R R (inch)	MT _{max} MT _{max} (ft lbs)	Gewicht Weight (kg)
HSX 30095 F	G51-300-0-00822	3 ³ / ₄ “	14.95	3.03	11.92	2.25	3.03	22127.0	16.6
HSX 30100 F	G51-300-0-01224	3 ⁷ / ₈ “	14.95	3.03	12.53	2.25	3.65	22127.0	16.8
HSX 30115 F	G51-300-0-00124	4 ¹ / ₂ “	14.95	3.03	12.53	2.25	3.65	22127.0	17.2
HSX 30130 F	G51-300-0-00222	5“	15.31	3.03	12.9	2.25	3.92	22127.0	17.8
HSX 30145 F	G51-300-0-00725	5 ⁵ / ₈ “	15.96	3.03	13.79	2.25	4.41	22127.0	18.4
HSX 30115 W	G51-300-0-00521	max. 115	15.31	3.03	12.9	2.25	3.92	22127.0	17.5
HSX 30130 W	G51-300-0-00621	max. 130	15.96	3.03	13.79	2.25	4.41	22127.0	18.3
HSX 30115 W	G51-300-0-00521	max. 4 ¹ / ₂ “	15.31	3.03	12.9	2.25	3.92	22127.0	17.5
HSX 30130 W	G51-300-0-00621	max. 5“	15.96	3.03	13.79	2.25	4.41	22127.0	18.3

Ratschenkopf <i>Ratched head</i>	Sechskanteinsatz Hexagon key insert	Code Nr. Code no.	SW (mm) A/F (mm)	Bemerkung notice
HSX 30115 W	HXW 30115 H 80 M	F93-147-9-08000	80	
	HXW 30115 H 95 M	F93-147-9-09500	95	
	HXW 30115 H 105 M	F93-147-9-10500	105	
	HXW 30115 H 110 M	F93-147-9-11000	110	
	HXW 30115 H 115 M	F93-147-9-11500	115	
HSX 30130 W	HXW 30130 H 130 M	F93-166-9-13003	130	

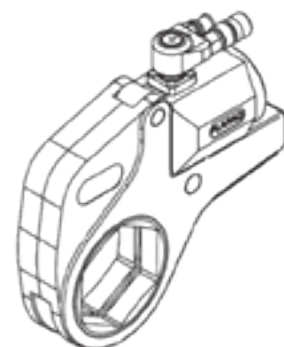
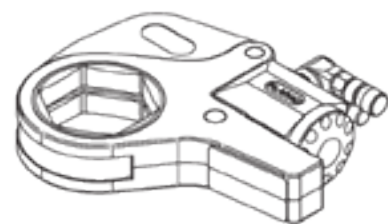
SX - 45

Antriebseinheit Drive unit	Code Nr. Code no.	Leistungsbereich Performance range	B2 B2	Gewicht Weight
SX - 45 TST	G52-450-0-00114	3319.04 - 33190.4 ft lbs	43.73 inch	13.0 kg

Ratschenkopf Ratchet head	Code Nr. Code no.	SW (mm)	L1 L1 (inch)	B B (inch)	H H (inch)	Z Z (inch)	R R (inch)	MT _{max} MT _{max} (ft lbs)	Gewicht Weight (kg)
HSX 45120 F	G51-450-0-00320	120	15.5	3.39	13.18	1.85	3.78	33190.4	19.9
HSX 45135 F	G51-450-0-00520	135	15.8	3.39	14.03	1.85	4.3	33190.4	21.1
HSX 45155 F	G51-450-0-00220	155	16.78	3.39	14.81	1.85	4.69	33190.4	22.0
HSX 45165 F	G51-450-0-00521	165	16.92	3.39	14.95	1.85	4.83	33190.4	23.0
HSX 45185 F	G51-450-0-00820	185	17.87	3.39	15.78	1.85	5.22	33190.4	24.2

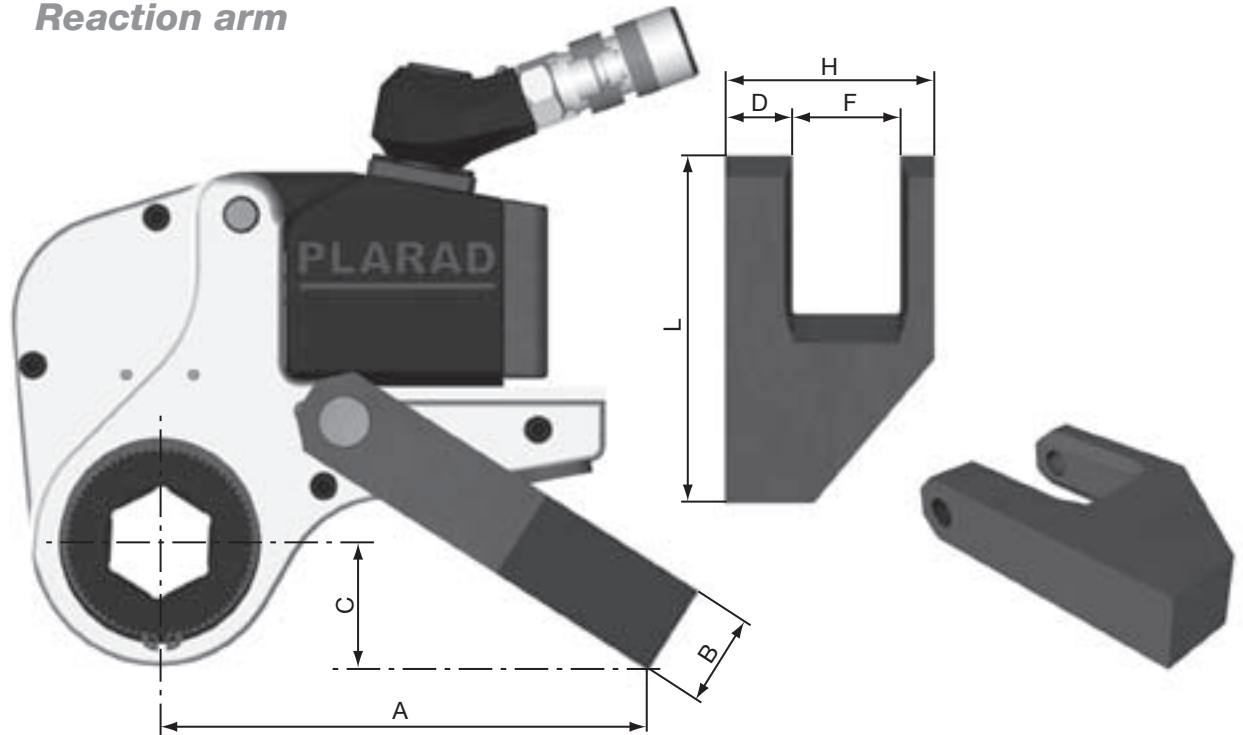
Ratschenkopf <i>Ratched head</i>	Sechskanteinsatz Hexagon key insert	Code Nr. Code no.	SW (mm) A/F (mm)	Bemerkung notice
HSX 45120 F	HX 45120 H 120 M	F93-160-9-12000	120	
HSX 45135 F	HX 45135 H 135 M	F93-178-9-13500	135	
HSX 45155 F	HX 45155 H 155 M	F93-200-9-15500	155	

Ratschenkopf Ratchet head	Code Nr. Code no.	SW (mm/“) A/F (mm/“)	L1 L1 (inch)	B B (inch)	H H (inch)	Z Z (inch)	R R (inch)	MT _{max} MT _{max} (ft lbs)	Gewicht Weight (kg)
HSX 45120 F	G51-450-0-00320	120	15.5	3.39	13.18	1.85	3.78	33190.4	19.9
HSX 45135 F	G51-450-0-00520	135	15.8	3.39	14.03	1.85	4.3	33190.4	21.1
HSX 45155 F	G51-450-0-00220	155	16.78	3.39	14.81	1.85	4.69	33190.4	22.0
HSX 45165 F	G51-450-0-00521	165	16.92	3.39	14.95	1.85	4.83	33190.4	23.0
HSX 45185 F	G51-450-0-00820	185	17.87	3.39	15.78	1.85	5.22	33190.4	24.2
HSX 45120 F	G51-450-0-00325	4 ⁵ / ₈ “	15.5	3.39	13.18	1.85	3.78	33190.4	19.9
HSX 45155 F	G51-450-0-00224	5 ³ / ₄ “	16.78	3.39	14.81	1.85	4.69	33190.4	22.0
HSX 45185 F	G51-450-0-00823	7 ¹ / ₄ “	17.87	3.39	15.78	1.85	5.22	33190.4	24.2
HSX 45145 W	G51-450-0-00130	max. 145	16.92	3.39	14.95	1.85	4.83	33190.4	23.8
HSX 45145 W	G51-450-0-00130	max. 5 ³ / ₈ “	16.92	3.39	14.95	1.85	4.83	33190.4	23.8



Abstützung

Reaction arm



Abstützung Reaction arm	Code Nr. Code no.	A (inch)	B (inch)	C (inch)	D (inch)	F (inch)	H (inch)	L (inch)	Gewicht Weight (kg)
HSX 1 .. AR	B51-010-1-00120	5.28	0.79	0.91	0.79	1.28	2.38	4.53	0.45
HSX 2 .. AR	B51-025-1-00800	6.86	1.18	2.05	1.14	1.58	3.11	6.3	0.75
HSX 5 .. AR	B51-050-1-01201	7.57	1.34	1.42	1.16	1.97	3.44	6.38	1.4
HSX 12 .. AR	B51-120-1-00100	13.16	1.95	3.27	1.24	2.13	4.18	11.82	3.2
HSX 20 .. AR	B51-200-1-00100	11.11	2.17	1.97	2.36	2.59	5.73	9.06	4.1
HSX 30 .. AR	B51-300-1-00100	13.2	2.56	1.85	2.76	3.05	6.8	11.13	5.6
HSX 45 .. AR	B51-450-1-00100	14.66	3.35	2.86	3.15	3.41	8.33	13.2	11.5

In-Out-Nuss

In-out socket



In-Out-Nüsse sind in allen Abmaßen
und Schlüsselweiten erhältlich.
*In-out sockets are available in all sizes
and dimensions.*

PLARAD[®] 
Torque & Tension Systems

**Maschinenfabrik Wagner
GmbH & Co.KG**
Birrenbachshöhe
D-53804 Much • Germany

Tel. national: (02245) 62 - 0
Fax national: (02245) 62 - 66
E-Mail: info@plarad.com
Web: <http://www.plarad.com>

Phone international: +49 (0)2245 62 - 10
Fax international: +49 (0)2245 62 - 22
Copyright: Nachdruck und Kopie, auch auszug-
weise, nur mit vorheriger schriftlicher Genehmigung.