

Battery Nutrunner DA1

Torque range from 130 to 4.700 Nm



The new standard in battery driven Torque

Simple operation

The desired torque is set by choosing and applying a corresponding gear, either (1 to 4), followed by selecting the power setting 1 to 15, just above the housing by the handle. Accidental setting of the gears or power setting is avoided with “recessed” controls. Please refer to the torque chart for the corresponding settings. Additionally on the power switch there are two special settings which provide extra power for undoing difficult bolts in a safe manner (unregulated torque).

Fully automatic

As soon as the desired set torque value is acquired the unit automatically stops, it is also immediately ready for the next bolt tightening etc. automatic reaction arm backoff.

Powerful and precise

The DA1 can tighten bolts up to 4.700 Nm achieving a repeat accuracy of +/- 4 %. With this accuracy the nutrunner meets the standard EN 1090 from the steel industry.

Reliability and accuracy

The continually active 2 step LED display of the battery charge prevents inaccurate torque tightenings when the capacity of the battery is too low. The operation trigger is not variable but binary – thus preventing an inaccurate torque being applied, especially useful during extended operation or when wearing gloves.

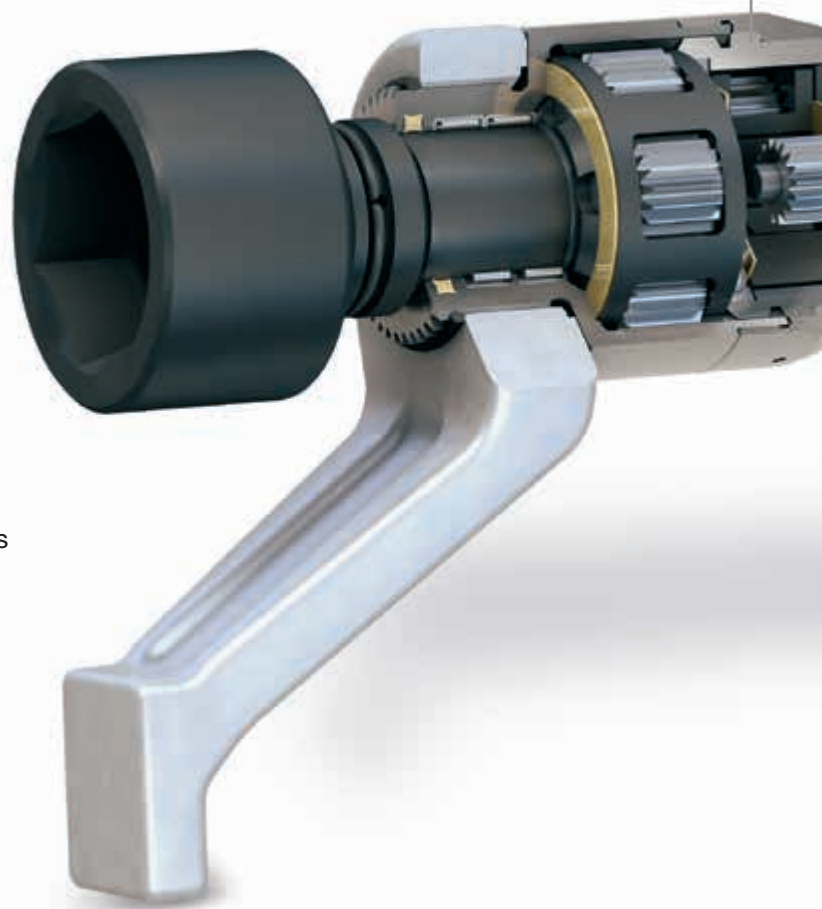
More efficient

- 30% more efficient than comparable electric motors, due to the brushless motor technology
- Dust proof electronic
- Made in Germany

Reliable battery technology

- 5,0 Ah
- 18 V
- SafetyCell Technology
- Active charge status indicator
- Charging time: approx. 40 minutes

Optimized gear



Including two 5 Ah lithium ion battery packs. The LED actively indicates the capacity of the battery pack.



Including quick charger (230 V, 50/60 Hz or US version 110 V, 50/60 Hz)



Battery powered LED worklamp, very bright with 900 Lux, compatible with all DA1 4 Ah and 5 Ah batteries

nutrunner

tools cordless and safe up to 4700 Nm

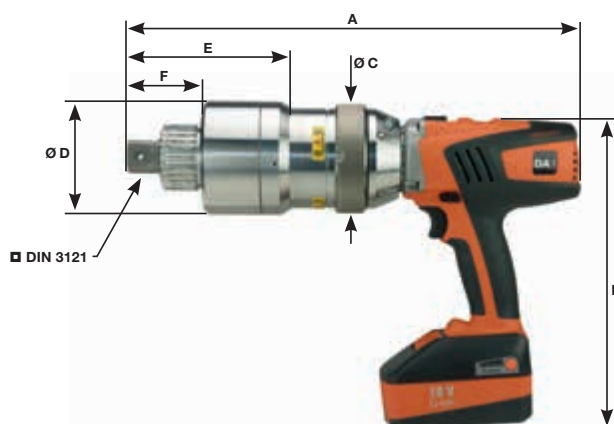


The DA1 used in windturbine assembly

Capacity of the battery pack

Type	Number of bolting connections*	Bolting case	Torque (Nm)
DA1-05	680	M 24 x 95	420
DA1-10	350	M 27 x 95	670
DA1-13	330	M 27 x 95	900
DA1-30	100	M 36 x 95	2.100
DA1-47	80	M 52 x 95	3.600

* Please note: The amount of bolt tightenings have been achieved via testing; the actual amount achievable will be proportional to the bolt fastening being hard or soft and the actual charge of the battery. Values achieved with a fully charged battery.

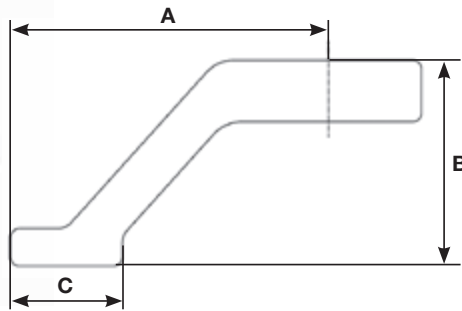


Type	Torque range	G 1 (rpm)	G 2 (rpm)	G 3 (rpm)	G 4 (rpm)	A (mm)	B (mm)	Ø C (mm)	Ø D (mm)	E (mm)	F (mm)	□ = Drive	Weight (kg)
DA1-05	130 - 550	8,3	16,4	36,6	70,3	347	245	90	74	126,5	57,5	¾ "	5,1
DA1-10	130-1.000	6,8	13,8	30,7	58,0	351	245	90	74	130,5	61,5	1 "	5,2
DA1-13	275-1.300	5,5	11,2	25,3	48,3	363	245	90	93	131,5	61,5	1 "	6,2
DA1-30	285-3.000	2,2	4,3	10,1	19,2	410	245	90	98	169,5	71,5	1 "	7,9
DA1-47	470-4.700	1,4	2,8	6,3	12,5	435	245	90	99	191,0	83,5	1½ "	10,4

Standard reaction arm



High-strength aluminium reaction arm



Type	A (mm)	B (mm)	C (mm)	Weight (kg)
DA1-05	110	80	50	0,3
DA1-10	130	100	60	0,5
DA1-13	130	100	60	0,5
DA1-30	170	110	60	1,0
DA1-47	170	130	60	1,2

Wide range of accessories

Various accessories (e.g.: inserts, power inverter, weldable rings, sockets and reaction arms) are available in standard and also in bespoke customer designs.



... a successful connection!

Maschinenfabrik Wagner GmbH & Co. KG
 Birrenbachshöhe · 53804 Much · Germany

Tel. national: (02245) 62-0
Fax national: (02245) 62-66
Phone international: +49 (0)2245 62-10
Fax international: +49 (0)2245 62-22

info@plarad.de · www.plarad.de